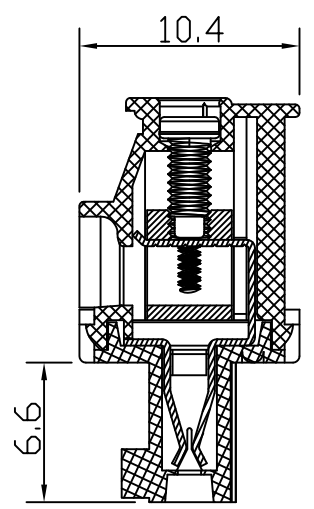
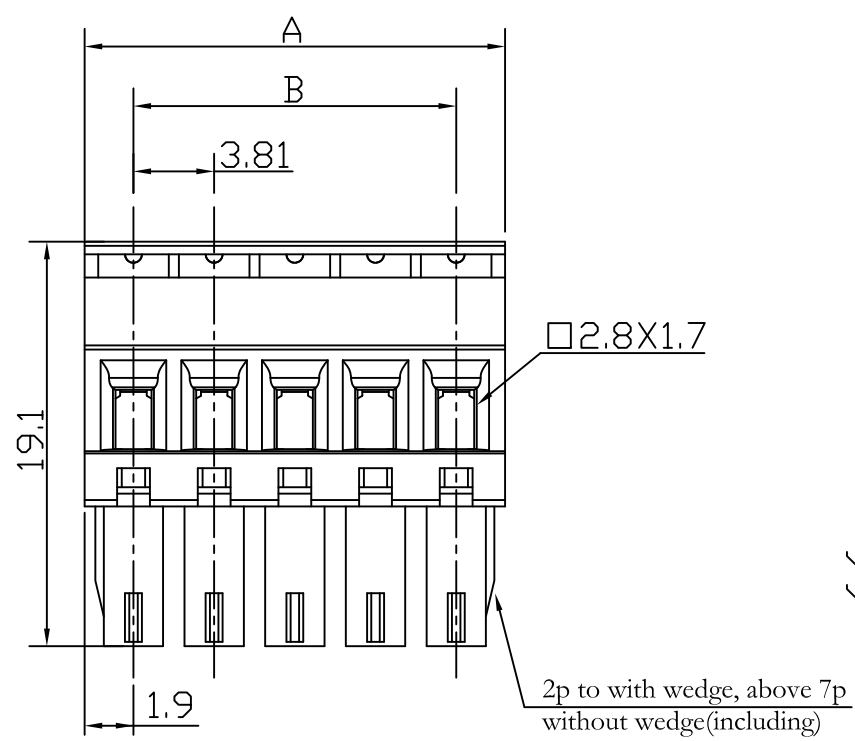
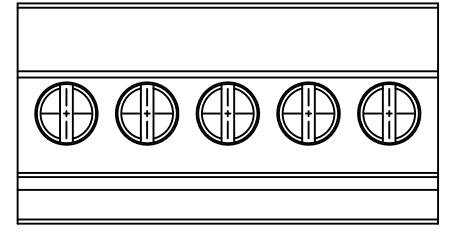



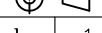
REV.	SPECIFICATION	ECN NO.	APPD.



Material:
Housing: Thermoplastic Polyester UL94V-0.
Female Contact: Copper Alloy, Tin Plated.
Clamp: Copper Alloy, Ni Plated.
Screw: Metal, Zinc Plated, M2.
Electrical Characteristics:
Voltage Rating: 300V AC
Current Rating: 8A
Solid Wire(AWG): 16-28
Stranded Wire(AWG): 16-28
Torque: 1.7Lb-In
Wire Strip Length: 6-7mm
Withstanding Voltage: 1.6KV
Operating Temperature: -40°C~+115°C
***RoHS Compliant**

8933- D 104191 G AA CI xx B
Series D:Pitch Manufacturing G:Green AA:Slotted CI:W/O No. of B:Bulk Package
3.81mm Code B:Black "—"Screw Flange A Side Positions
Y:Grey
U:Blue

Position	2 Thre 24
Dimension	
A	No. of Positions X 3.81
B	(No. of Positions - 1) X 3.81

Tolerances	Dwg. No.	8933D02016	Title:		 OUPIN ELECTRONIC(KUNSHAN) CO., LTD. P/N: 8933-D104191GAAC1xxB SHEET 1/1 Ver. No. A2
x = ±0.50	Projection		8933 Series		
.x = ±0.30	Unit	mm	Scale	1:1	
.xx = ±0.15	Drawn By	Scott	3.81mm Terminal Block (8100-xxFTS11-01)		
		06/22'16	⑦ 780		