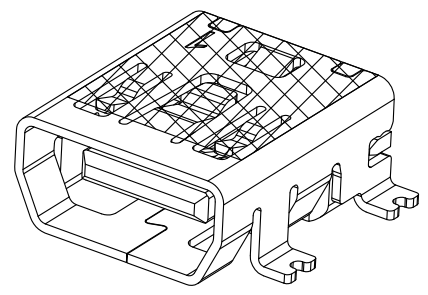
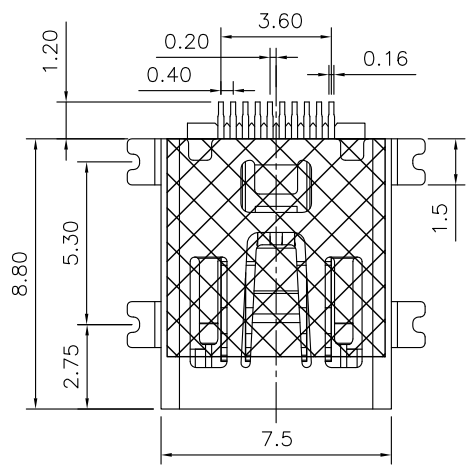
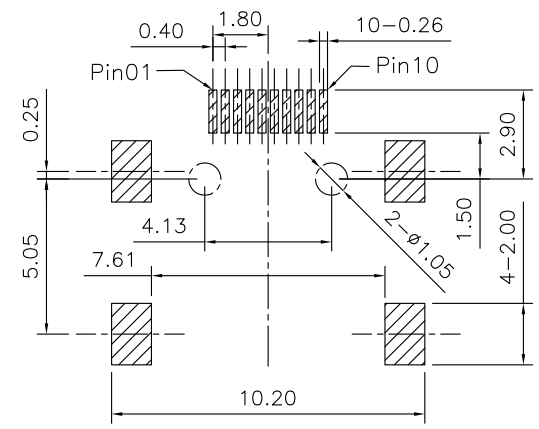
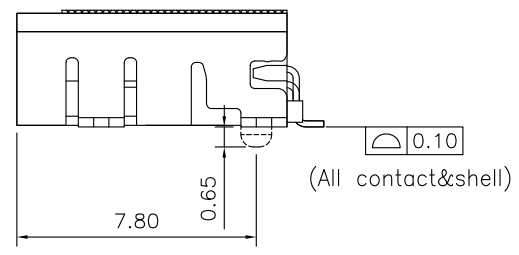
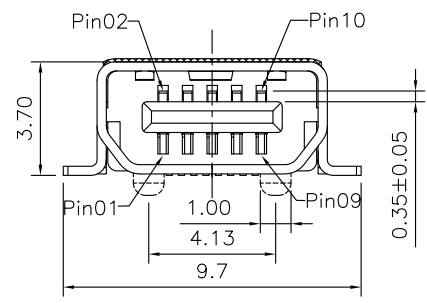


REV.	SPECIFICATION	ECN NO.	APPD.
R3			



**Material:**  
Housing: High Temperature Plastic UL94V-0.  
Contacts: Copper Alloy  
Shield Case: Metal.

**Electrical Characteristics:**  
Current Rating: 1 AMP.  
Dielectric Withstanding Voltage: AC 100V For 1 minute  
Insulator Resistance: 100MΩ min. at DC 250V.  
Contact Resistance: 50mΩ max. at DC 100mA.  
Operating Temperature: -20°C~+85°C.  
**\*RoHS Compliant**



P.C.Board Layout  
(Tolerance: ±0.05)

Series: **8969-AB 10 G xx D x B T- S**  
Position: **10 G xx D x B T- S**

S: Mylar  
A: Tray Package  
T: Tape & Reel Package  
B: Black  
1: Type 1 With Post  
11: Type 11 Without Post  
D: Surface Mount

G: Gold Plated  
00: G/F  
10: 10 μ"  
15: 15 μ"  
30: 30 μ"

<b>Tolerances</b>	<b>Drawn No.</b> 8969-D0000-003	<b>Title:</b>		<b>OUPIIN</b> OUPIIN ELECTRONIC(KUNSHAN) CO., LTD.			
x = ±0.5	<b>Projection</b>						
.x = ±0.25	<b>Unit</b> mm	<b>Scale</b>	1:1	<b>P/N:</b> 8969-AB10GxxDxBT-S	<b>SHEET</b> 1/1	<b>Ver.No.</b>	R3
.xx = ±0.15	<b>Drawn By</b> levl 7/9'10						