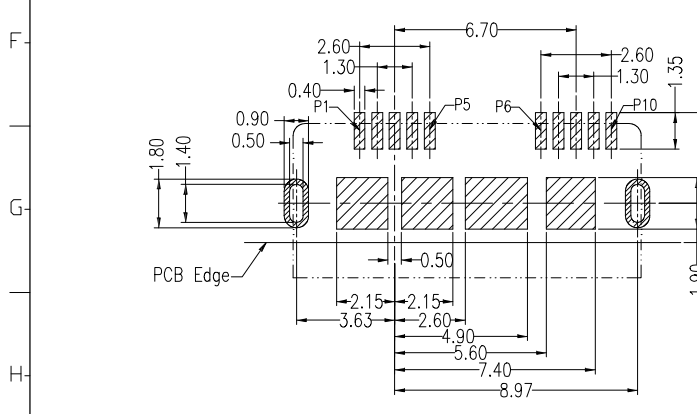
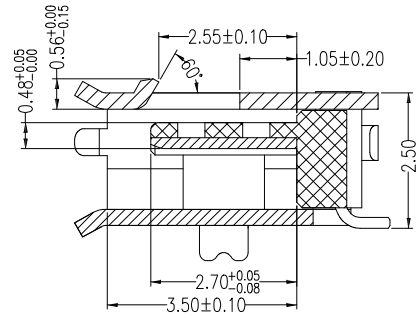
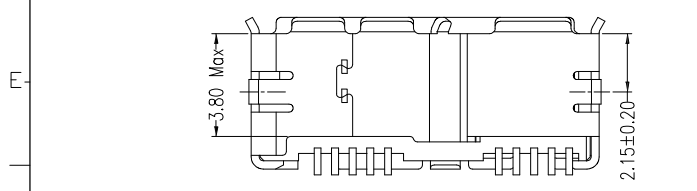
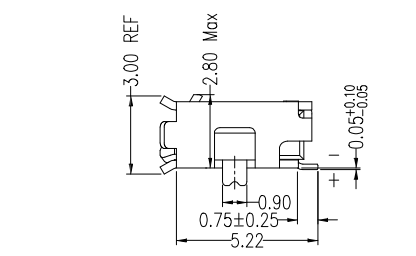
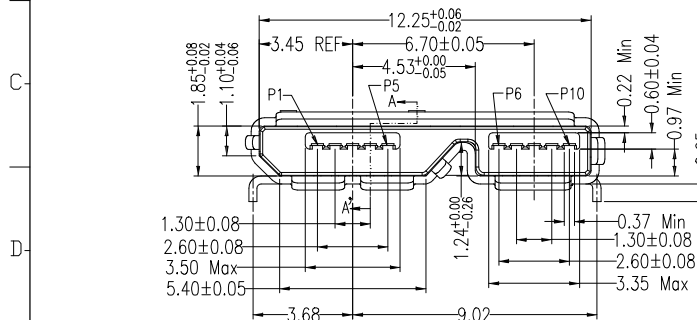
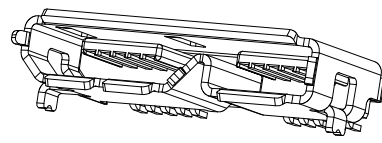
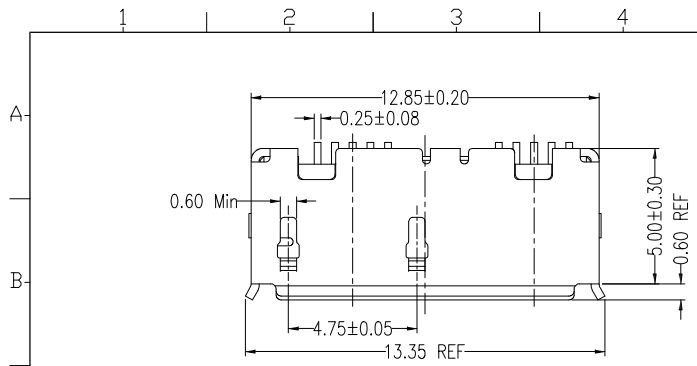


REV.	SPECIFICATION	ECN NO.	APPD.



8973-B 10 G 30 D2 T
 Series ———
 Position ———
 G: Gold Plated ———
 T: Tape & Reel Package
 D2: SMD Post Dip
 30: 30 u"

Material:
 Housing: LCP, UL94V-0, Black.
 Contacts: Phosphor Bronze, Gold Plated on Contact Area
 Gold Flash on Solder Tail over Nickel 50u".
 Shell: Stainless Steel, 40u" Nickel Plated.
Electrical Characteristics:
 Current Rating: 1.8 A(Only Pin1,5); 0.25A For Other Pin.
 Dielectric Withstanding Voltage: AC 100V.
 Insulator Resistance: 100MΩ min.
 Contact Resistance: 30mΩ max.
 Operating Temperature: -55°C~+85°C.
***Data Rate: 5Gbps**
***RoHS Compliant**

Pin Number	Signal Name
1	VBUS
2	D-
3	D+
4	ID
5	GND
6	MicB_SSTX-
7	MicB_SSTX+
8	GND_DRAIN
9	MicB_SSRX-
10	MicB_SSRX+

Tolerances	Dwg. No.	8973D02002	Title:	
.x = ±0.38	Projection		8972 Series	
.xx = ±0.25	Unit	mm	USB 3.2 Gen1 5Gbps	
.xxx = ±0.20	Scale	1:N	Micro B Type	
	Drawn By	Martin 12/05'23	Q705	

OUPIN			
OUPIN ELECTRONIC(KUNSHAN) CO., LTD.			
P/N: 8972-B10G30D2T			
SHEET	1/1	Ver.No.	A3