

9302- 4 A1 S24 P 1 1 A CB30 D A

- Series
- 4:Female Right-angle
- A1: Power Assembly
- S24:Signal Pin
- N:W/O Post
- P:With Post=4.00mm
- 1: DIM T=3.25mm
- 1: DIM G(GAP)1.10mm
- A :Signal Pitch 1.27
- B :Signal Pitch 2.54
- A: Tray Package
- D: Dip Type
- CB30: Contact Au+Pd/Ni,Dip Tin Power pin:30u"
- C10: (Power pin) Selective Gold Plated 10u"

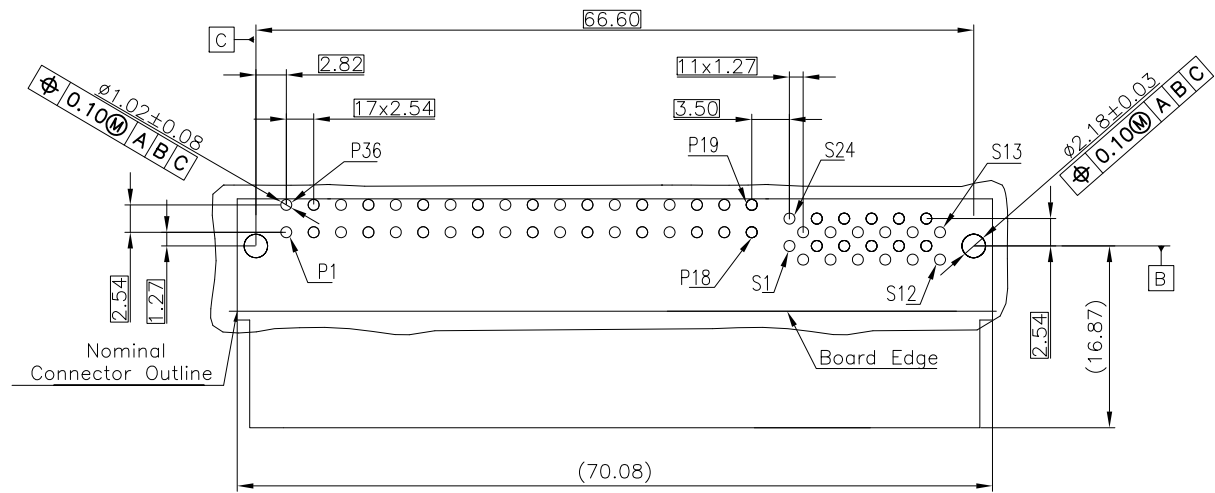
REV.	SPECIFICATION	ECN NO.	APPD.
R2		ECN230928	

Material and Plating:
Housing: LCP, UL94V-0 , Black.
Power Contacts: High Conductivity Copper.
 30u"Au+Pd/Ni on Contact Area and 80u" Min Tin Plated on Solder Tail over Nickel 50u" Min .
Signal Contacts: High performance Copper Alloy.
 30u"Au+Pd/Ni on Contact Area and 80u" Min Tin Plated on Solder Tail over Nickel 50u" Min .
Electrical Characteristics:
Current Rating: Power Pin 12.5A (UL). Signal Pin 1.5A .
Dielectric Withstanding Voltage:
 Power Pin DC 1000V For 1 Minute.
 Signal Pin DC 500V For 1 Minute.
Contact Resistance: Power Pin 0.6mΩ max.
 Signal Pin 25mΩ max.
Insulation Resistance: Power Pin 5000MΩ min. at DC 500V.
 Signal Pin 500MΩ min. at DC 500V.
Operating Temperature: -55°C~+105°C.

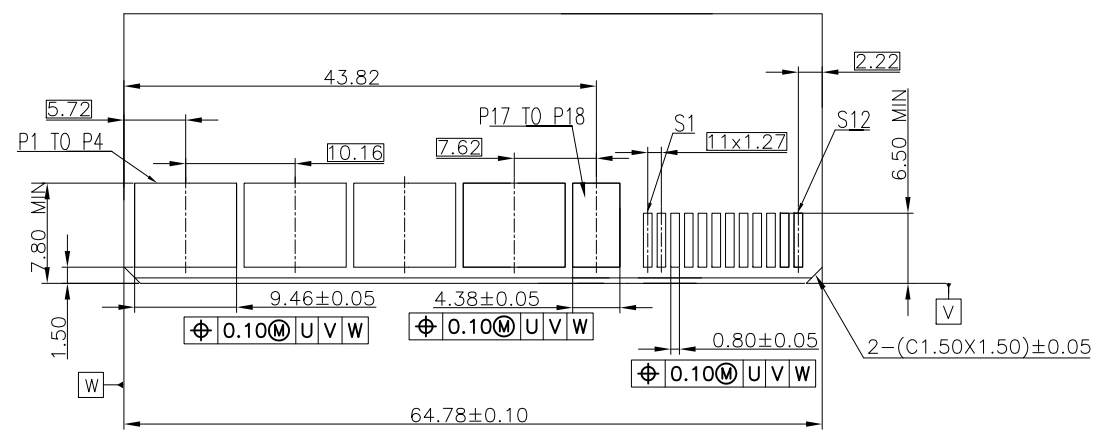
***Rohs Compliant**

Tolerances	Dwg No.	9302-D0000-015	Title:	 OUPIN ELECTRONIC(KUNSHAN) CO., LTD. P/N: 9302-4A1S24P11ACB30DA
x=0.5	Projection		9302 Series	
.X=0.25	Unit	mm	High Power And Signal Edge Card Connector	
.XX=0.15	Drawn By	GYJ 09/14'23		SHEET 1/2 Ver.No. R2


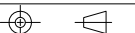
REV.	SPECIFICATION	ECN NO.	APPD.
R2		ECN230928	



P.C. Board Layout
(Tolerance: ± 0.05)



RECOMMENDED MATING BOARD
FOOT PRINT
(Tolerance: ± 0.05)

Tolerances	Dwg No.	9302-D0000-015	Title:	 OUPIIN ELECTRONIC(KUNSHAN) CO., LTD. P/N: 9302-4A1S24P11ACB30DA			
x=0.5	Projection		9302 Series				
.X=0.25	Unit	mm	High Power And Signal Edge Card Connector				
.XX=0.15	Drawn By	CYJ 09/14'23	Scale	1:1			
				SHEET	2/2	Ver.No.	R2