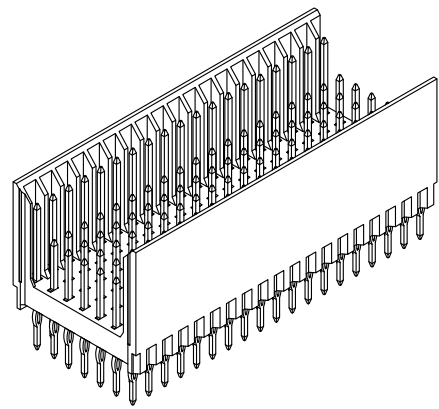
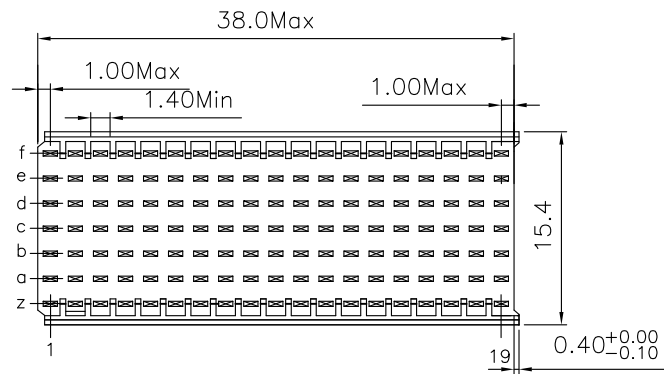


REV.	SPECIFICATION	ECN NO.	APPD.
R3		ECN181154	



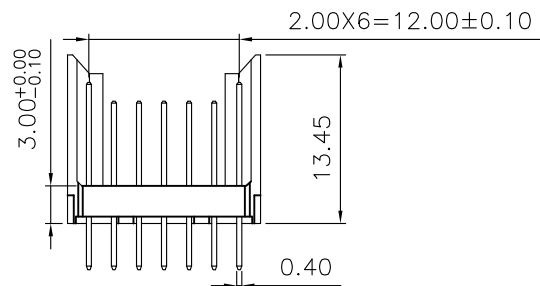
Material and Plating:

Housing: PBT, UL94V-0, Beige.
 Contacts: Brass.
 Gold Plated on Contact Area and 80 μ" min Tin or Gold Flash Plated on Press Fit over 50 μ" min Nickel.
 Or Au+Pd/Ni on Contact Area and 80u" min Tin on Press Fit over 50 u" min Nickel.

Electrical Characteristics:

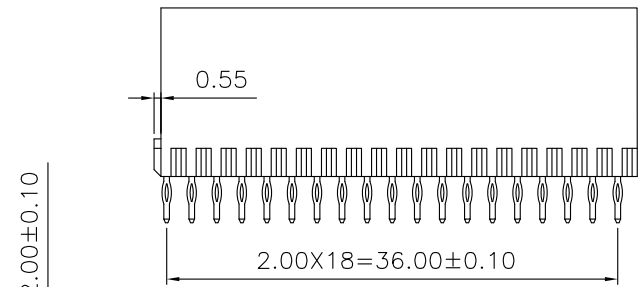
Current Rating: 1 AMP.
 Dielectric Withstanding Voltage:
 Insulator Resistance: 1000MΩ at 50%DC50V minute.
 Contact Resistance: 20mΩ max.at DC 100mA.
 Operating Temperature: -55°C ~ +125°C.

***RoHS Compliant**

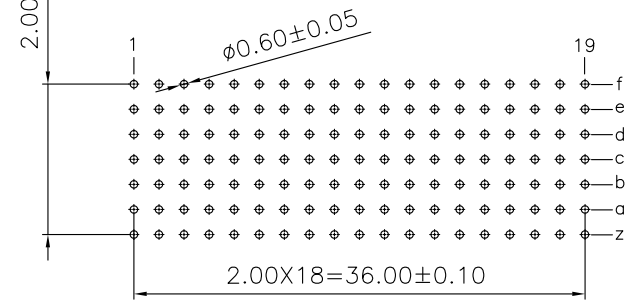


f	C	C	C	C	C	C	C	C	C	C	C	C	C	C	C	C	C	C	
e	B	B	B	B	B	B	B	B	B	B	B	B	B	B	B	B	B	B	
d	B	B	B	B	B	B	B	B	B	B	B	B	B	B	B	B	B	B	
c	B	B	B	B	B	B	B	B	B	B	B	B	B	B	B	B	B	B	
b	B	B	B	B	B	B	B	B	B	B	B	B	B	B	B	B	B	B	
a	B	B	B	B	B	B	B	B	B	B	B	B	B	B	B	B	B	B	
z	C	C	C	C	C	C	C	C	C	C	C	C	C	C	C	C	C	C	
	1	2	3	4	5	6	7	8	9	10	11	12	13	14	15	16	17	18	19

Contact Layout

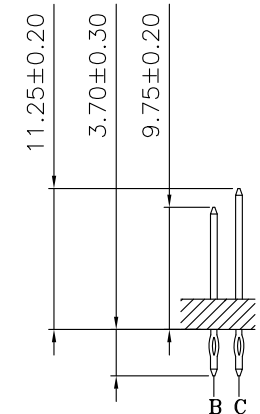


2.00X6=12.00±0.10



P.C. Board Layout

9111- 7 1 B 133 C C xx U
 Series: 7Row
 1: Male
 B: Type B
 Housing Type
 C:C Option
 U: Tube Package
 10: 10 u"
 30: 30 u"
 C: Dip Tin Plated
 Contact Gold Plated
 CB30: 30u" Au+Pd/Ni Plated on Contact Area ,Dip Tin
 G: Gold Plated



Tolerances	Dwg.No.	9111D71027	
x = ±0.5	Projection	⊕ ⊖	
.x = ±0.25	Unit	mm	Scale 1:1
.xx = ±0.15	Drawn By	dyq 11/29'18	

9111 Series
 2.00 Hard Meterlc
 Connectors Male
 Type B-19



OUPIN ELECTRONIC(KUNSHAN) CO., LTD.

P/N: 9111-71B133CC(CB)xxU

SHEET	1/1	Ver.No.	R3
--------------	-----	----------------	----