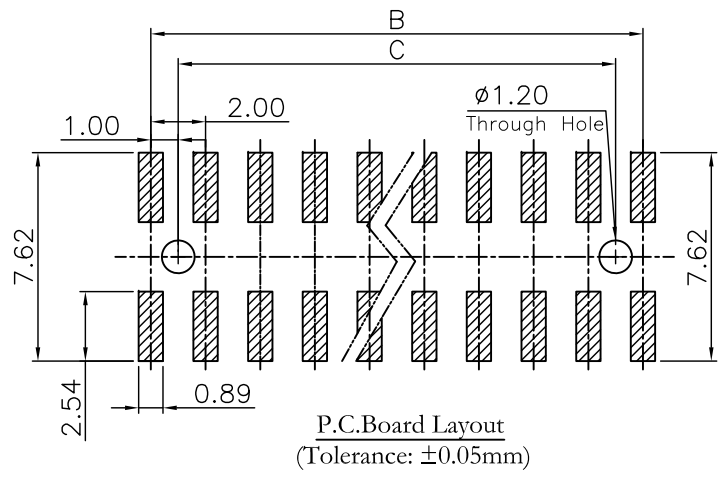
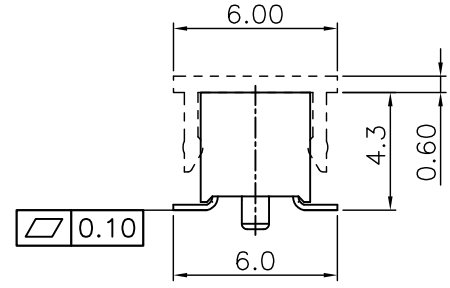
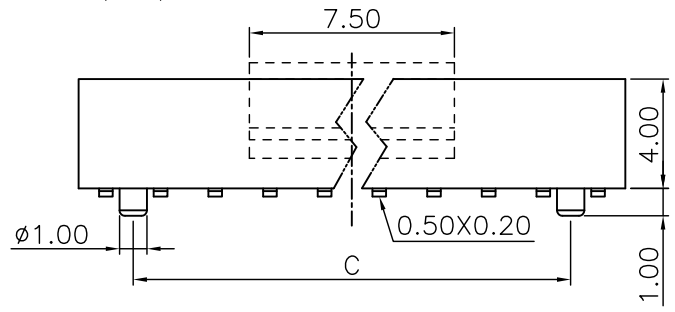
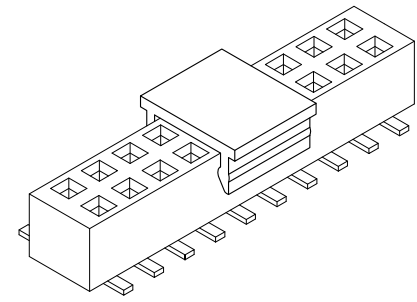
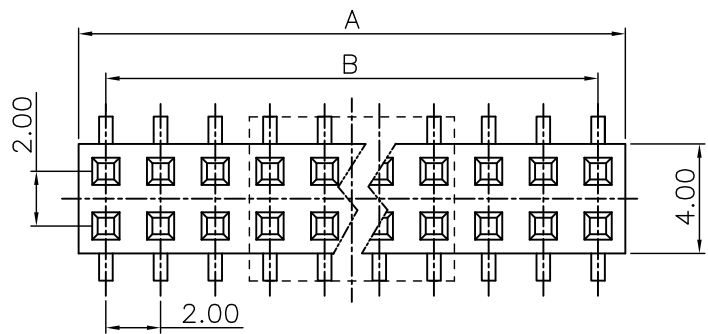


REV.	SPECIFICATION	ECN NO.	APPD.
R4		ECN230413	



2143-A 2 X xx G xx D P T -P

Series: 2143-A
 Double Row: 2
 No. of Pin Per Row: X
 G: Gold Plated
 T: Tin Plated
 00: G/F
 10: 10μm
 15: 15μm
 30: 30μm
 D: SMD Type
 P: With Post
 T: Tape & Reel Package
 -P: Blank; W/O Pad
 P: Plastic Pad
 M: Metal Pad
 S: Mylar
 U: Tube Package
 N: W/O Post

Material and Plating:

Housing: LCP, UL94V-0, Black.
 Contacts: Phosphor Bronze.
 Gold Plated or 80u" min Tin on Contact Area and Gold Flash Plated or 80u" min Tin on Solder tail over 50u" min Nickel.

Electrical Characteristics:

Current Rating: 2 AMP@80°C.
 Dielectric Withstanding Voltage: AC 500V For 1 minute.
 Insulator Resistance: 1000MΩ min. at DC 500V.
 Contact Resistance: 20mΩ max. at DC 100mA.
 Operating Temperature: -65°C~+125°C.
***RoHS Compliant**
 Insertion Depth: 2.20mm to 3.80mm (Top Entry).

Position	4 Thru 80
Dimension	
A	2.0XNo. of Positions/2
B	2.0XNo. of Positions/2-2.0
C	2.0XNo. of Positions/2-4.0

Tolerances	Dwg No.	2143-D0000-001	Title:
x = ±0.5	Projection		2143 Series P.C.B Socket 2.0mmX2.0mm
.x = ±0.25	Unit	mm	
.xx = ±0.15	Scale	1:1	
	Drawn By	JCQ 04/10'23	

OUPIN			
OUPIN ELECTRONIC(KUNSHAN) CO., LTD.			
P/N: 2143-A2XxxGxxDPT-P			
SHEET	1/1	Ver.No.	R4