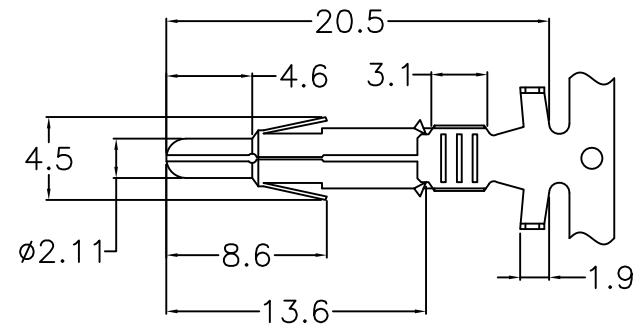
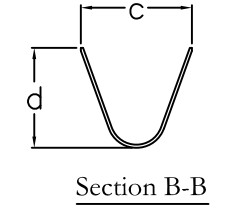
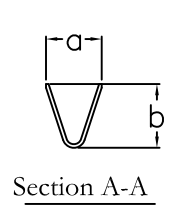
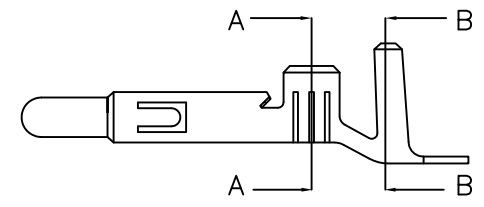
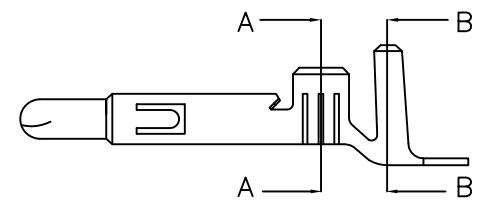
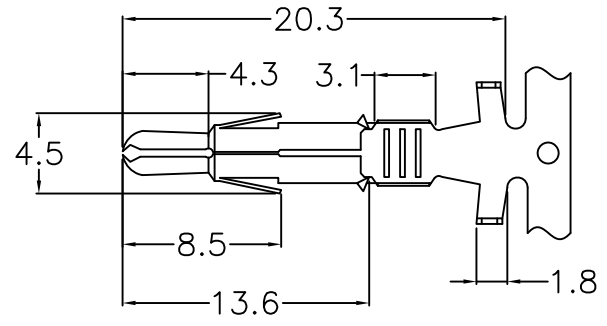


REV.	SPECIFICATION	ECN NO.	APPD.

4977-PIN-M-5K-T1/T2



4977-PIN-M-5K-T4/T5



Material:

Terminal: Brass, Tin Plated 80~120μ" over Nickel 20~30μ".

Electrical Characteristics:

Current Rating: 13A (1~5P for T1/T2)
11A (6~15P for T4/T5)

Voltage Rating: 600V.

Operating Temperature: -55°C~+105°C.

***RoHS Compliant**

4977- PIN - M - 5K - Tx
 Series M: Male 5K Pins Per Reel T1/T4: Wire Range 18-22 AWG
 T2/T5: Wire Range 16-20 AWG

Type	Wire Gauge	Dimension			
		a	b	c	d
T1	18~22AWG	2.3	2.4	3.3	3.4
T2	16~20AWG	2.9	3.5	4.5±0.4	4.5±0.4
T4	18~22AWG	2.4	2.4	3.4	3.4
T5	16~20AWG	2.9	3.5	4.5±0.4	4.5±0.4

Tolerances	Dwg. No.	4977P01001
x = ±0.5	Projection	
.x = ±0.25	Unit	mm
.xx = ±0.15	Scale	1:1
	Drawn By	Scott 09/09'16

Title: 4977 Series
6.35mm Crimp Terminal
①732

OUPIN
 OUPIN ELECTRONIC(KUNSHAN) CO., LTD.
 P/N: 4977-PIN-M-5K-Tx
 SHEET 1/1 Ver.No. A3