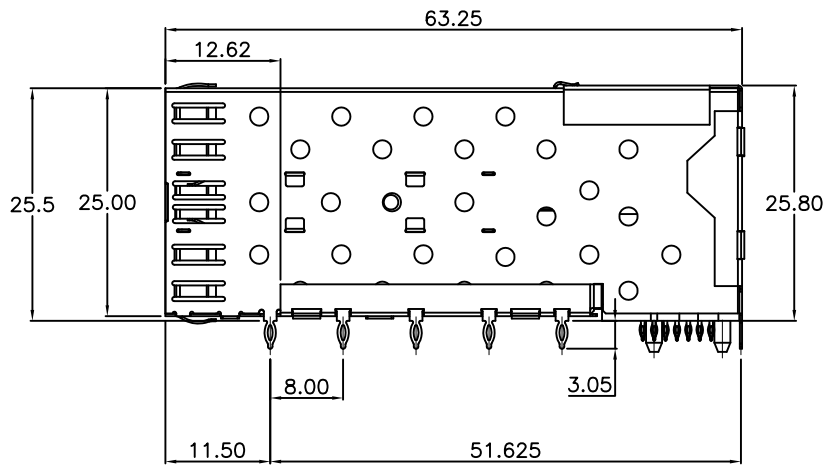
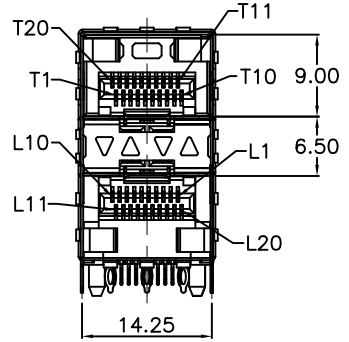
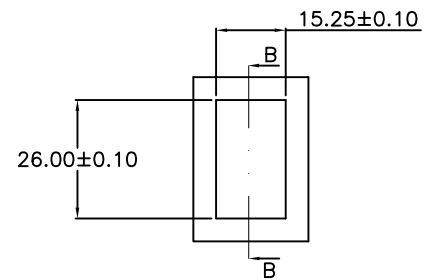


| | | | |
|------|---------------|---------|-------|
| REV. | SPECIFICATION | ECN NO. | APPD. |
| | | | |

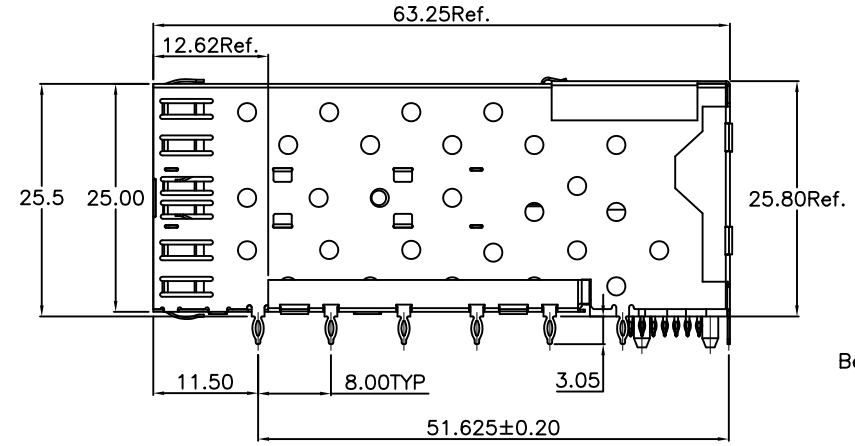
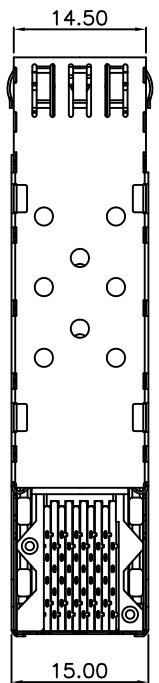


With Light Pipe

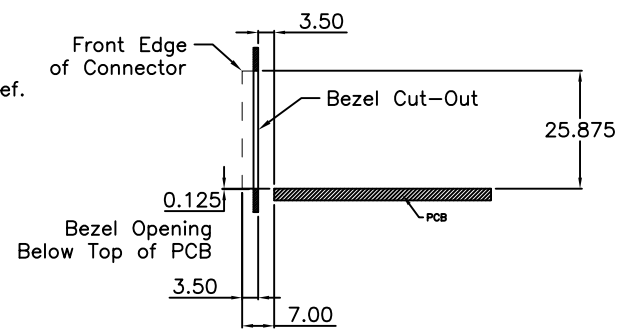
Material:
Housing: High Temperature Plastic UL94V-0, Black.
Terminal: Copper Alloy, Gold Plated on Contact Area
Matte Tin Plating on Solder Tail.
Cage: Copper Alloy.
Operating Temperature: -40°C~+85°C
***RoHS Compliant**



Bezel Cut-Out Opening Detail



Without Light Pipe



Section B-B

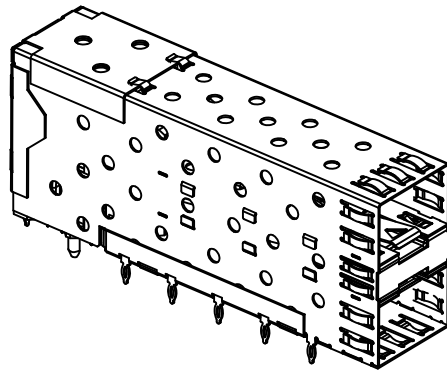
8952-A 2X1 C 15 P S x A
Series: 8952-A
2X1 Port: 2X1
C: Selective Gold Plated
15: 15 μ"
P: Press Fit
S: Spring
A: Tray Package
0: Without Light Pipe
1: With Inner Light Pipe
2: With Outer Light Pipe
3: With Inner&Outer Light Pipe

| | | | | |
|-------------------|-----------------|----------------|--------------|---------------------------------|
| Tolerances | Dwg. No. | 8952D00010 | | Title: |
| .x = ±0.35 | Date | ⊕ ⊖ | | 8952 Series |
| .xx = ±0.25 | Unit | mm | Scale | SFP 2X1 Cage, R/A, Metal Shield |
| .xxx = ±0.15 | Drawn By | Scott 07/11'16 | | Press Fit Type With Connector |

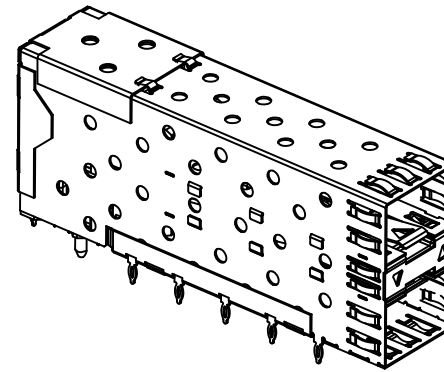
①665

OUPIN
OUPIN ELECTRONIC(KUNSHAN) CO., LTD.
P/N: 8952-A2X1C15PSxA
SHEET 1/4 **Ver.No.** A3

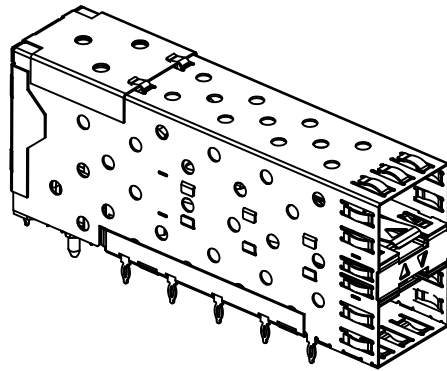
| | | | |
|------|---------------|---------|-------|
| REV. | SPECIFICATION | ECN NO. | APPD. |
| | | | |



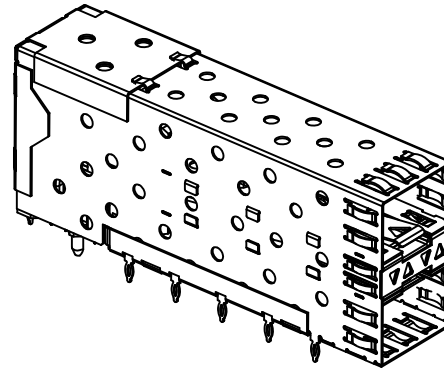
Without Light Pipe



With Outer Light Pipe



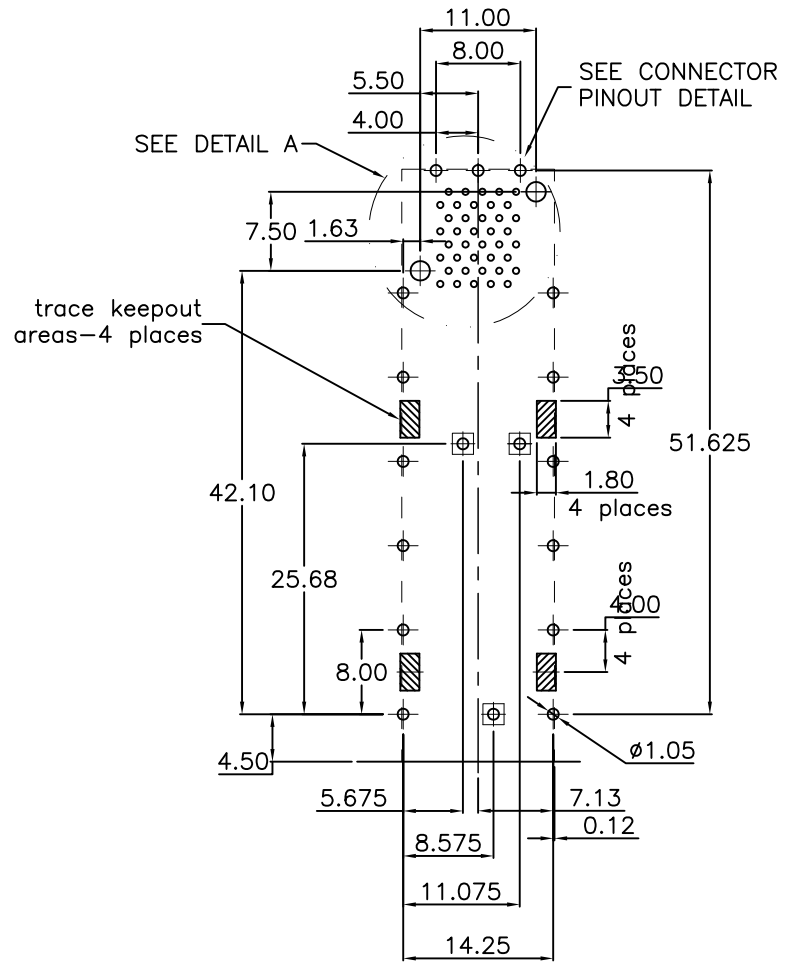
With Inner Light Pipe



With Inner&Outer Light Pipe

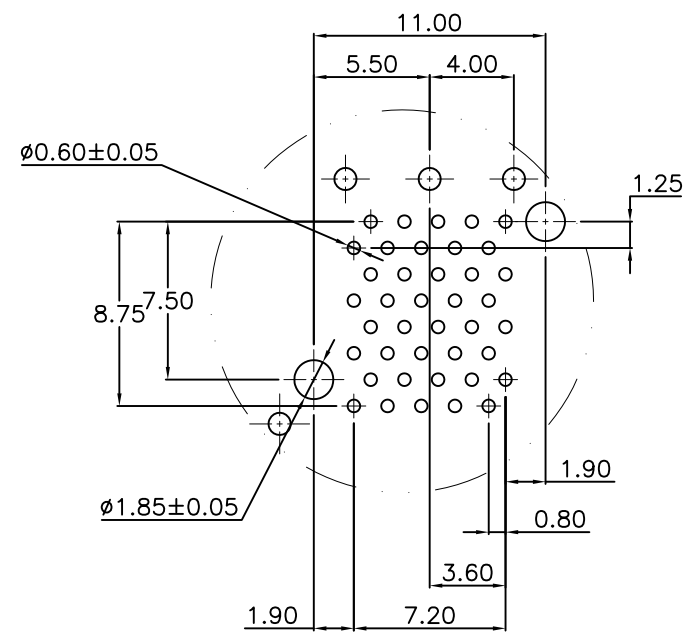
| | | | | | | |
|--|-----------------|----------------|--------------|---|--|-----|
| Tolerances .x = ±0.35 .xx = ±0.25 .xxx = ±0.15 | Dwg. No. | 8952D00010 | | Title: 8952 Series SFP 2X1 Cage, R/A, Metal Shield Press Fit Type With Connector 665 | OUPIIN ELECTRONIC(KUNSHAN) CO., LTD. P/N: 8952-A2X1C15PSxA SHEET 2/4 Ver.No. A3 | |
| | Date | | | | | |
| | Unit | <i>mm</i> | Scale | | | 1/1 |
| | Drawn By | Scott 07/11'16 | | | | |

| | | | |
|------|---------------|---------|-------|
| REV. | SPECIFICATION | ECN NO. | APPD. |
| | | | |

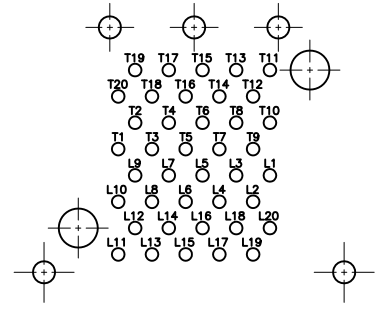


P.C.Board Layout Without Light Pipe

1. Recommended PCB Thickness:2.36
(Minimum PCB Thickness:1.57)
2. Our connector without correspondent posts as show for \oplus , considering customer may choose compatible parts to instead, we suggest that you design the PCB layout as show with 3 holes.



DETAIL A(SCALE 2:1)



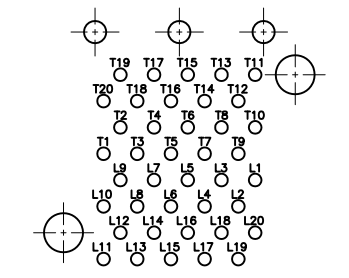
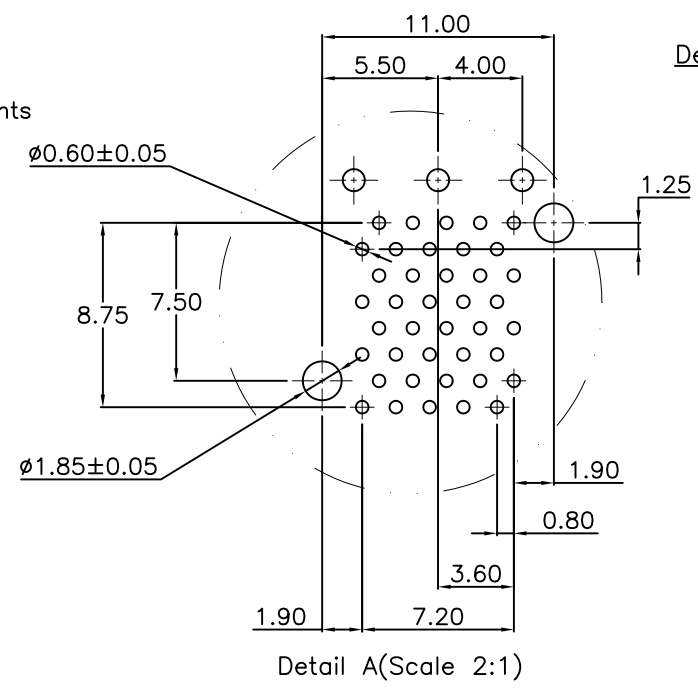
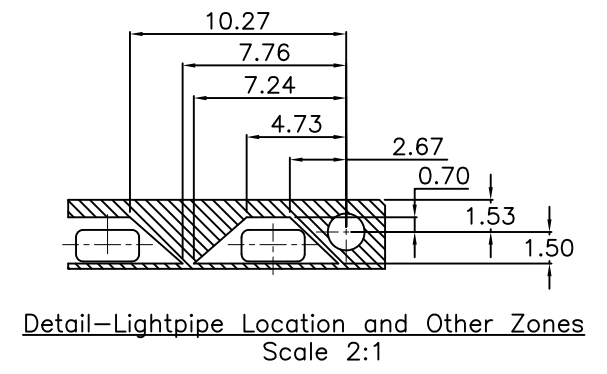
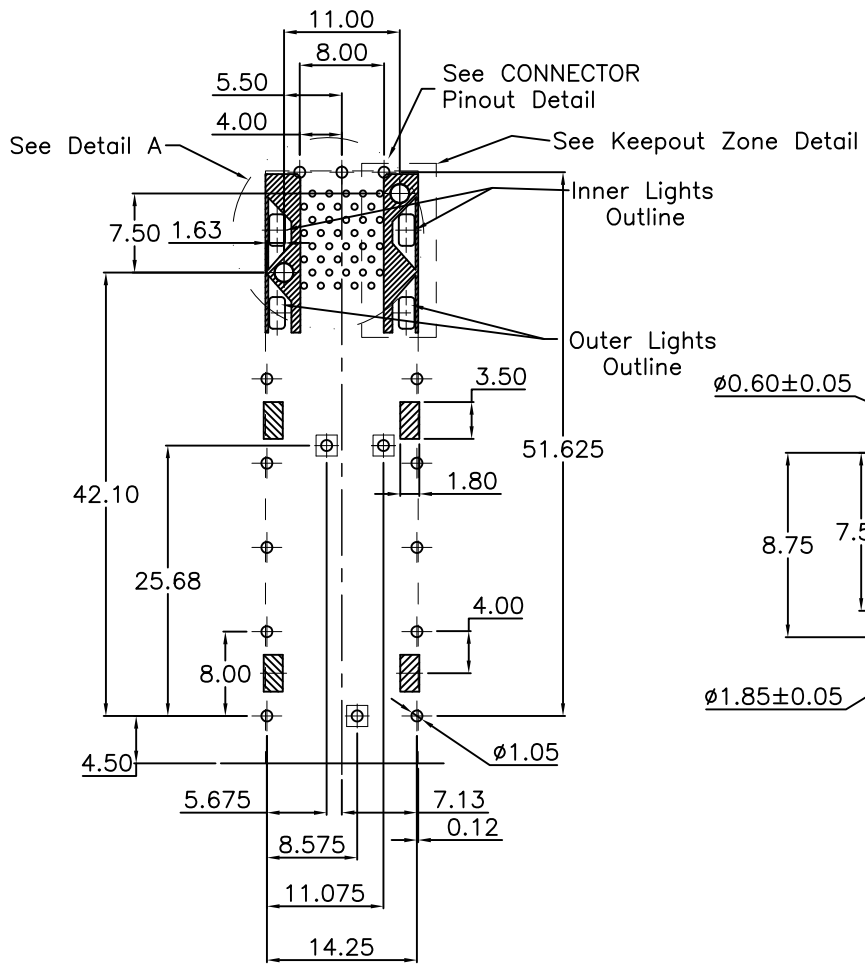
CONNETION PINOUT DETAIL COMPONENT SIDE OF BOARD

| | | | | |
|-------------------|----------|--------------------------|---------------------------------|-----|
| Tolerances | Dwg. No. | 8952D00010 | Title: | |
| .x = ± 0.35 | Date | \oplus \triangleleft | 8952 Series | |
| .xx = ± 0.25 | Unit | mm | Scale | 1/1 |
| .xxx = ± 0.15 | Drawn By | Scott 07/11'16 | SFP 2X1 Cage, R/A, Metal Shield | |
| | | | Press Fit Type With Connector | |

①665

| | | | |
|-------------------------------------|-----|---------|----|
| OUPIN | | | |
| OUPIN ELECTRONIC(KUNSHAN) CO., LTD. | | | |
| P/N: 8952-A2X1C15PSxA | | | |
| SHEET | 3/4 | Ver.No. | A3 |

| | | | |
|------|---------------|---------|-------|
| REV. | SPECIFICATION | ECN NO. | APPD. |
| | | | |



P.C.Board Layout With Light Pipe

1. Recommended PCB Thickness: 2.36
(Minimum PCB Thickness: 1.57)
2. Our connector without correspondent posts as show for \oplus , considering customer may choose compatible parts to instead, we suggest that you design the PCB layout as show with 3 holes.

| | | | | | | | | | | | | | | |
|------------|--------------|------------|--------------------------|--------|--|-----|---------|----|--|--|--|--|-------|-----|
| Tolerances | Dwg. No. | 8952D00010 | | Title: | <p>8952 Series</p> <p>SFP 2X1 Cage, R/A, Metal Shield</p> <p>Press Fit Type With Connector</p> | | | | <p>OUPIIN ELECTRONIC(KUNSHAN) CO., LTD.</p> <p>P/N: 8952-A2X1C15PSxA</p> | | | | | |
| | .x = ±0.35 | Date | \oplus \triangleleft | | | | | | | | | | | |
| | .xx = ±0.25 | Unit | mm | | | | | | | | | | Scale | 1/1 |
| | .xxx = ±0.15 | Drawn By | Scott 07/11'16 | | | | | | | | | | 665 | |
| | | | | | SHEET | 4/4 | Ver.No. | A3 | | | | | | |