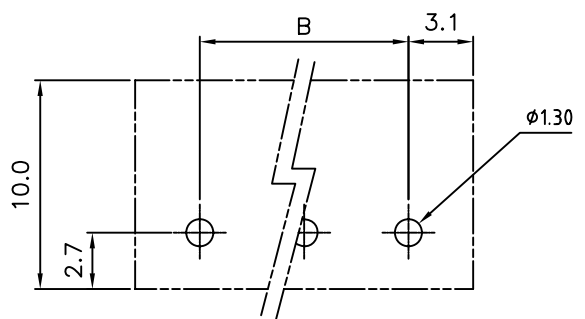
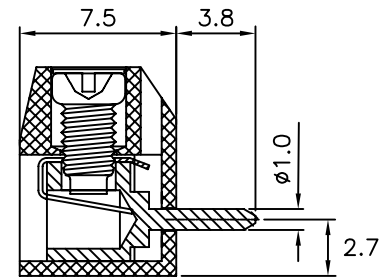
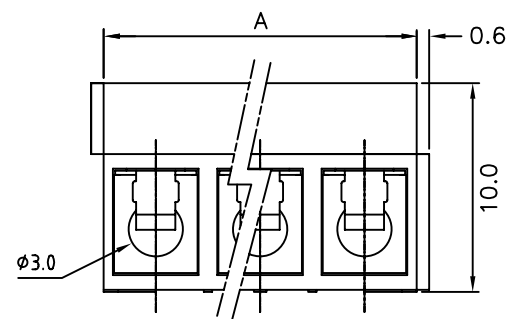
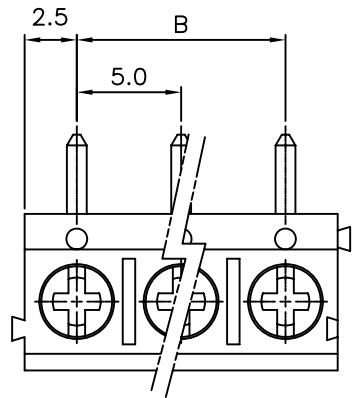


REV.	SPECIFICATION	ECN NO.	APPD.
A2			



P.C. Board Layout

**Material:**

**Housing:** Thermoplastic Polyester UL94V-0.  
**Solder Pin:** Copper Alloy, Tin Plated.  
**Wire Guard:** Metal.  
**Screw:** Metal, Zinc Plated, M2.6.

**Electrical Characteristics:**

**Voltage Rating:** 250V  
**Current Rating:** 16A  
**Solid Wire(AWG):** 14  
**Stranded Wire(AWG):** 16  
**Torque(Lb-In):** 2.6/3.5  
**Wire Strip Length:** 5-6mm  
**Withstanding Voltage:** 1.5KV  
**Operating Temperature:** -30°C~+105°C

**\*RoHS Compliant**

8931- F 075100 U AB xx R B  
Series F:Pitch 5.0mm Manufacturing Code U:Blue G:Green B:Black Y:Grey AB:Combination "+"Screw No. of Positions R:Right Angle B:Bulk Package for 2~4Pos. Box Package for 5~24Pos.

Position	2 Thru 24
Dimension	
A	No. of Positions *5.0
B	(No. of Positions -1) *5.0

<b>Tolerances</b>	<b>Dwg. No.</b>	8931D02002	<b>Title:</b>		 <b>OUPIIN ELECTRONIC(KUNSHAN) CO., LTD.</b> P/N: 8931-F075100UABxxRB <b>SHEET</b> 1/1 <b>Ver. No.</b> A3
x = ±0.5	<b>Projection</b>		8931 Series		
.x = ±0.30	<b>Unit</b>	mm	<b>Scale</b>	1:1	
.xx = ±0.15	<b>Drawn By</b>	Peggy10/15'12	5.0mm Terminal Block (8500-xxTR40-02)		
			Ø780		