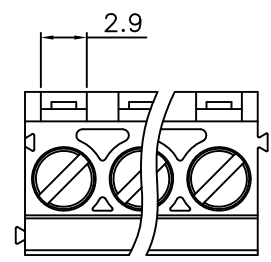
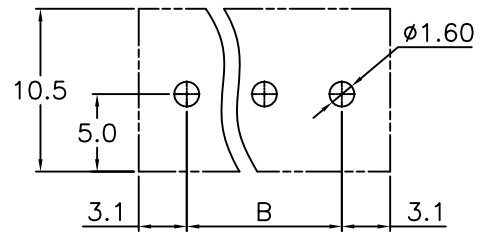
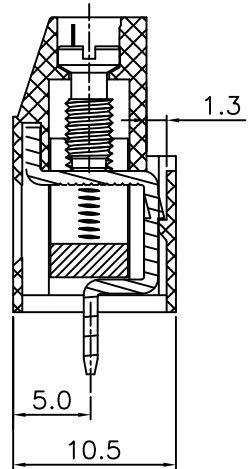
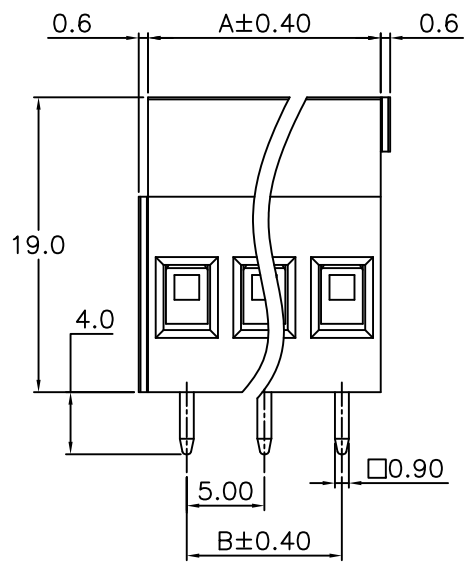


REV.	SPECIFICATION	ECN NO.	APPD.



Material:
Housing: Thermoplastic Polyester UL94V-0.
Solder Pin: Copper Alloy, Tin Plated.
Clamp: Copper Alloy, Ni Plated.
Screw: Metal, Zinc Plated, M3.
Electrical Characteristics:
Voltage Rating: 300V.
Current Rating: 20A.
Solid Wire(AWG): 12-30.
Stranded Wire(AWG): 12-30.
Torque(Lb-In): 3.5.
Wire Strip Length: 6-7mm.
Withstanding Voltage: 1.6KV.
Operating Temperature: -40°C~+115°C.
***RoHS Compliant**



P.C. Board Layout

8932- Series **F** F:Pitch 5.0mm **105190** Manufacturing Code **G** G:Green B:Black Y:Grey U:Blue **AA** AA:Slotted " - "Screw AB:Combination " + "Screw **xx** No. of Positions **S** S:Straight **B** B:Bulk Package

Position	2 Thru 24
Dimension	No. of PositionsX5.0
A	(No. of Positions-1)X5.0
B	

Tolerances	Dwg. No.	8932D02014	Title:		 OUPIIN ELECTRONIC(KUNSHAN) CO., LTD. P/N: 8932-F105190GAxxSB SHEET 1/1 Ver.No. X4
x = ±0.50	Projection		8932 Series		
.x = ±0.30	Unit	mm	5.0mm Terminal Block		
.xx = ±0.15	Scale	1:1	(Old P/N:8500-XXTS11-14)		
	Drawn By	Sunny 04/23'15	① 780		