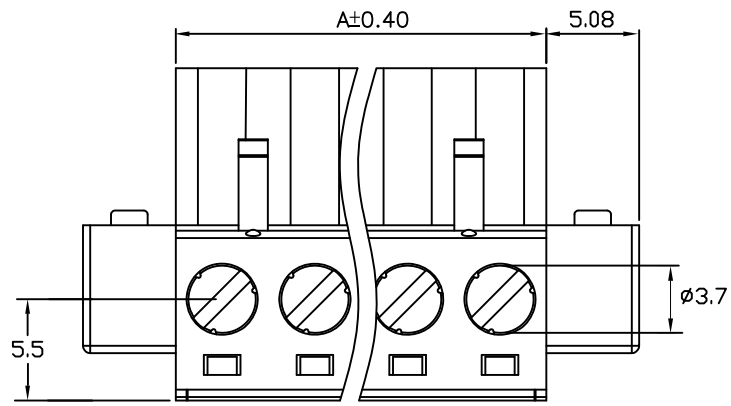


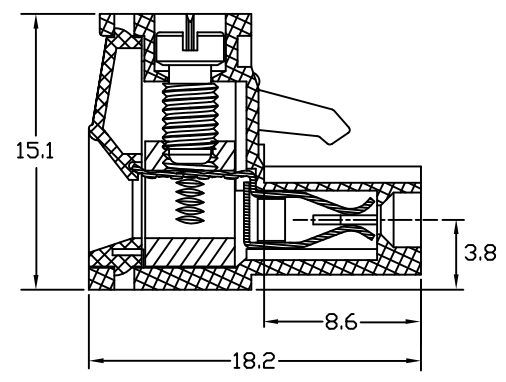
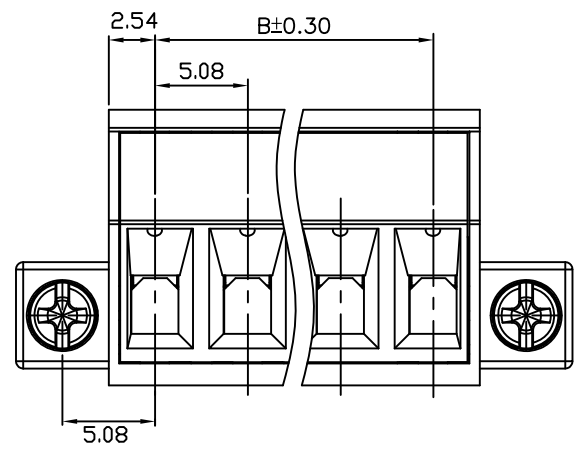
REV.	SPECIFICATION	ECN NO.	APPD.



Material:
Housing: Thermoplastic Polyester UL94V-0.
Female Contact: Copper Alloy, Tin Plated.
Clamp: Copper Alloy, Ni Plated.
Screw: Metal, Zinc Plated, M3.
Flange Screw: Metal, Zinc Plated, M2.5.

Electrical Characteristics:
Voltage Rating: 300V
Current Rating: 20A
Solid Wire(AWG): 12-24
Standed Wire(AWG): 12-24
Torque: 5Lb-In
Wire Strip Length: 7-8mm
Withstanding Voltage: 1.6KV
Operating Temperature: -40°C~+115°C

***RoHS Compliant**



8933- Series G G:Pitch 5.08mm 151182 Manufacturing Code G G:Green B:Black Y:Grey U:Blue AA AA:Slotted "-" "Screw DD DD:With Flange With Hook Contact on Down Side xx No. of Positions B B: Bulk Package for 2~4Pos. Box Package for 5~24Pos.

Position	2 Thru 24
Dimension	
A	No.of Positions*5.08
B	(No.of Positions-1)*5.08

Tolerances	Dwg. No.	8933D02007
x = ±0.5	Projection	
.x = ±0.3	Unit	mm
.xx = ±0.15	Scale	1:1
	Drawn By	Peggy11/24'15

Title: 8933 Series 5.08mm Terminal Block (8800-xxFTR11-03)

OUPIN
OUPIN ELECTRONIC(KUNSHAN) CO., LTD.
P/N: 8933-G151182GAADDxxB

SHEET	1/1	Ver.No.	A5
-------	-----	---------	----

0780