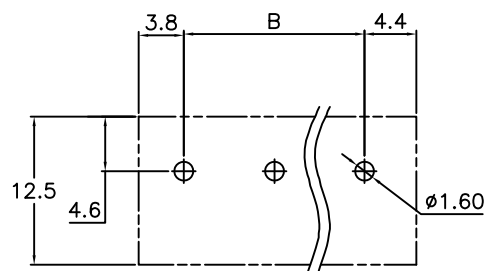
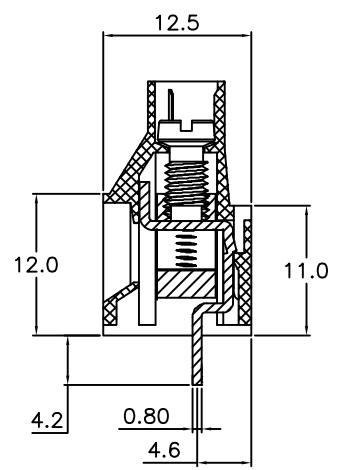
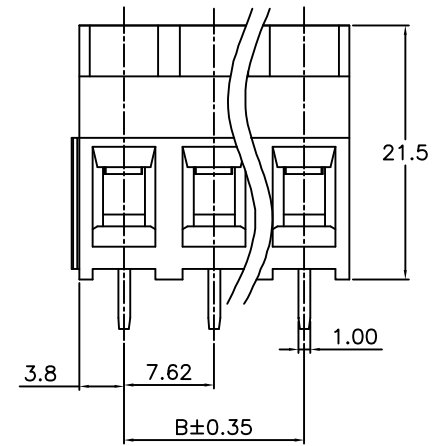
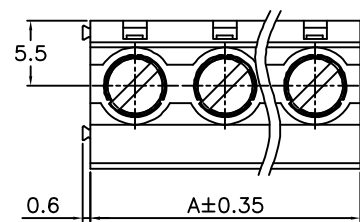


REV.	SPECIFICATION	ECN NO.	APPD.



P.C. Board Layout

Material:
Housing: Thermoplastic Polyester UL94V-0.
Solder Pin: Copper Alloy, Tin Plated.
Clamp: Copper Alloy, Ni Plated.
Screw: Metal, Zinc Plated, M3.5

Electrical Characteristics:
Voltage Rating: 300V AC.
Current Rating: 30A.
Solid Wire(AWG): 10-24.
Stranded Wire(AWG): 10-24.
Torque(Lb-In): 6.9 Lb-In.
Wire Strip Length: 6-7mm.
Withstanding Voltage: 1.6KV.
Operating Temperature: -40°C~+115°C.
***RoHS Compliant**

8932- J 125215 G AA xx S B
Series J:Pitch Manufacturing Code G:Green B:Black Y:Grey U:Blue AA:Slotted "-"Screw No. of Positions S:Straight B:Bulk Package
7.62mm

Position	2 Thru 16
Dimension	
A	No. of PositionsX7.62
B	(No. of Positions-1)X7.62

Tolerances	Dwg. No.	8932D02017	Title:	
x = ±0.50	Projection		8932 Series	
.x = ±0.30	Unit	mm	Scale	1:1
.xx = ±0.15	Drawn By	Vic Lyu01/07'15	7.62mm Terminal Block (Old P/N:8900-XXTS11-08)	

①780

OUPIIN ELECTRONIC(KUNSHAN) CO., LTD.			
P/N: 8932-J125215GAAXXB			
SHEET	1/1	Ver.No.	X2