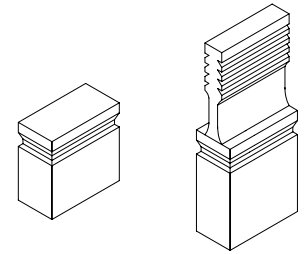


REV.	SPECIFICATION	ECN NO.	APPD.



Material:

Housing: High Thermoplastic Polyester Glass Filled UL94V-2.

Contacts: Copper Alloy.

Plating: Gold Plated in Contact Area, Nickel Plated Overall.

Electrical Characteristics:

Dielectric Withstanding Voltage: AC 650V For 1 minute.

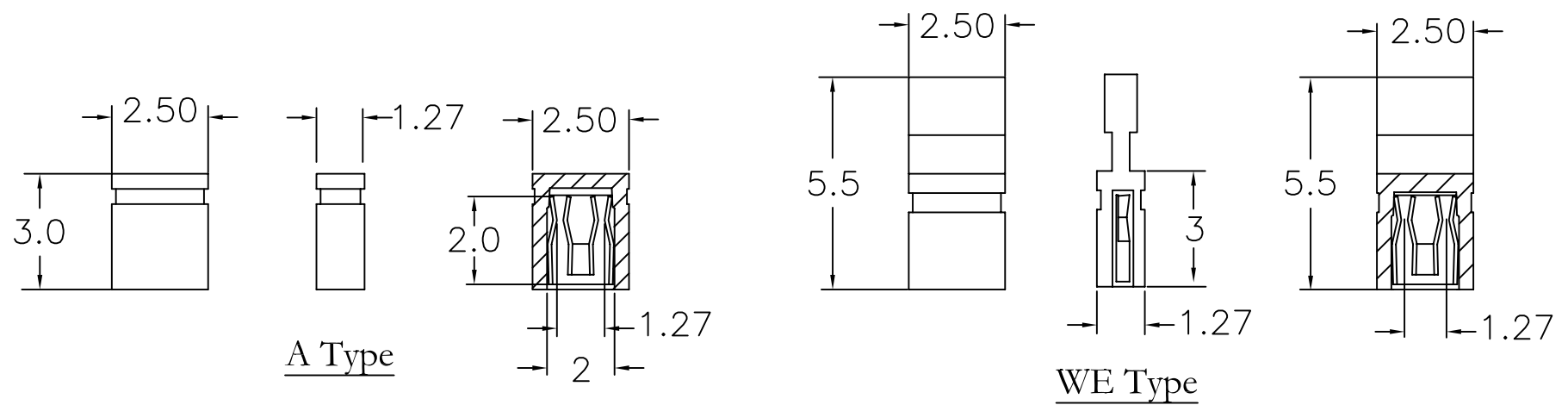
Current Rating: 1 AMP.

Insulator Resistance: 1000MΩ min. at DC 500V.

Contact Resistance: 30mΩ max. at DC 100mA.

Operating Temperature: -55°C~+105°C.

***RoHS Compliant**



2206- x - B B
 Series A: A Type B: Black Insulator B: Bulk Package
 WE: WE Type

Tolerances x = ±0.5 .x = ±0.25 .xx = ±0.15	Dwg. No.	2206D02001		Title: 2206 Series Mini Jumper 1.27mm				 OUPIIN ELECTRONIC(KUNSHAN) CO., LTD. P/N: 2206-x-BB			
	Projection	⊕ ↗									
	Unit	mm	Scale	1:1		SHEET	1/1	Ver.No.	A3		
	Drawn By	Peggy03/13'12		⊙740							