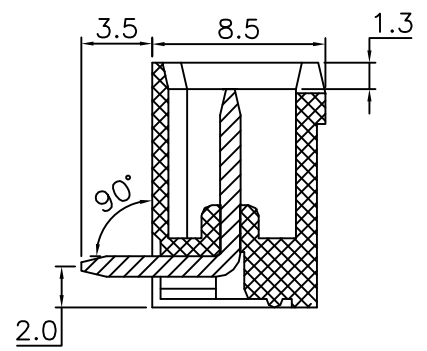
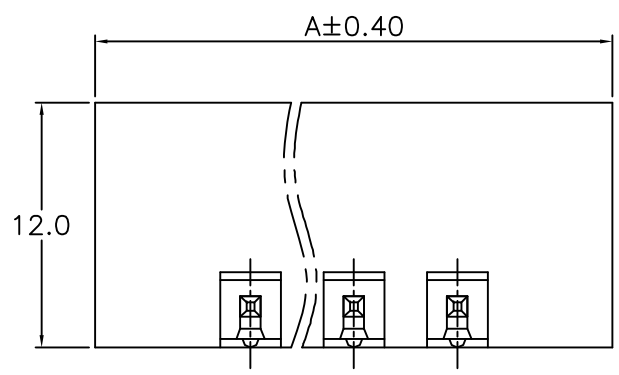
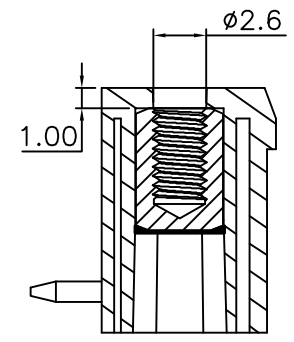
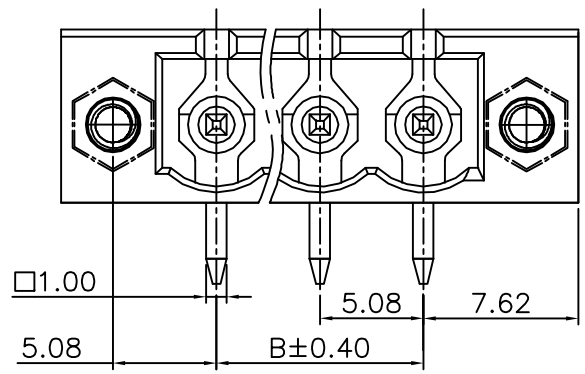


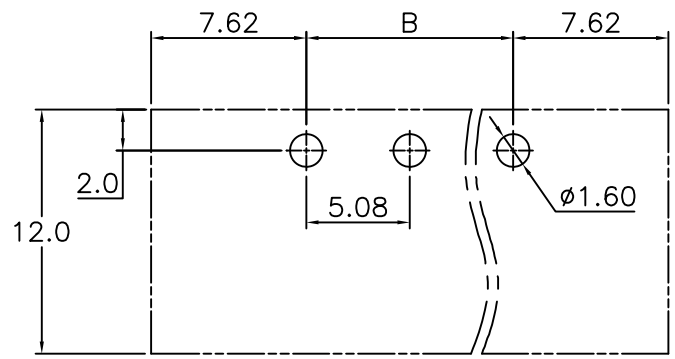
| | | | |
|------|---------------|---------|-------|
| REV. | SPECIFICATION | ECN NO. | APPD. |
| | | | |

Material:
Housing: Thermoplastic Polyester UL94V-0.
Contact Pin: Copper Alloy, Tin Plated.
Flange NUT: Copper Alloy, M2.5.

Electrical Characteristics:
Voltage Rating: 300V.
Current Rating: 20A.
Withstanding Voltage: 1.6KV.
Operating Temperature: -40°C~+115°C.
***RoHS Compliant**



8930- G 085120 G CA xx R B
Series G:Pitch Manufacturing G:Green CA:With No. of R:Right B:Bulk
5.08mm Code Flange Positions Angle Package



| | |
|-----------|-----------------------------|
| Position | 2 Thru 24 |
| Dimension | |
| A | No. of PositionsX5.08+10.16 |
| B | (No. of Positions-1)X5.08 |

P.C. Board Layout

| | | | | |
|-------------|------------|-----------------|-----------------------|--|
| Tolerances | Dwg. No. | 8930D01028 | Title: | |
| x = ±0.50 | Projection | ⊕ | 8930 Series | |
| .x = ±0.30 | Unit | mm | 5.08mm Terminal Block | |
| .xx = ±0.15 | Scale | 1:1 | (8800-xxMTR11-01) | |
| | Drawn By | Vic Lyu01/06'15 | ① 780 | |

OUPIN
OUPIN ELECTRONIC(KUNSHAN) CO., LTD.
P/N: 8930-G085120GCAxxRB

| | | | |
|-------|-----|---------|----|
| SHEET | 1/1 | Ver.No. | X2 |
|-------|-----|---------|----|