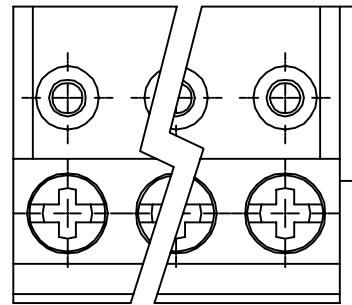


REV.	SPECIFICATION	ECN NO.	APPD.
A1			

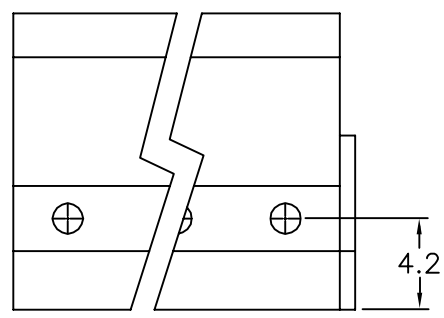
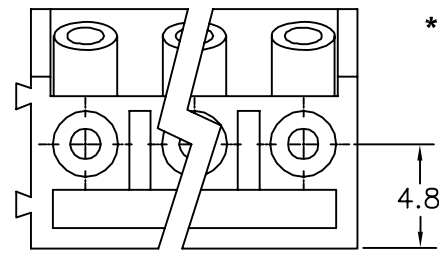
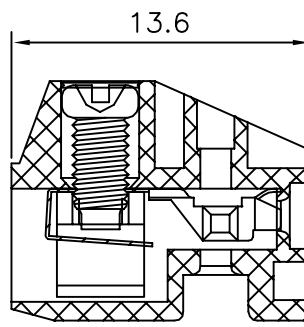
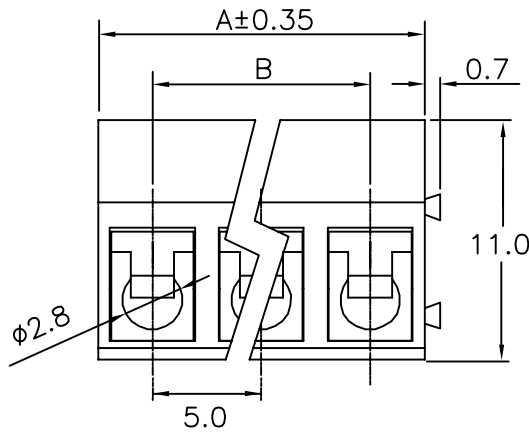
A
B
C
D
E
F
G
H

A
B
C
D
E
F
G
H



Material:
Housing: Thermoplastic Polyester UL94V-0.
Female Contact: Copper Alloy, Tin Plated.
Clamp: Copper Alloy.
Screw: Metal, Zinc Plated, M2.6.
Electrical Characteristics:
Voltage Rating: 250V.
Current Rating: 10A.
Insulation Resistance: 5000MΩ.
Current Resistance: 20mΩ max.
Torque: 4Kgf.cm
Wire range(AWG): 14-22.
Withstanding Voltage: 1500V.
Operating Temperature: -30°C~+120°C.

***RoHS Compliant**



8933- F **110136** **U** **AB** **xx** **B**
Series F:Pitch Manufacturing U:Blue AB:Combination No. of B:Bulk Package for 2~4Pos.
 5.0mm Code G:Green " "+"Screw Positions Box Package for 5~24Pos.
 B:Black
 Y:Grey

Position	2 Thru 24
Dimension	
A	No. of Positions*5.0
B	(No. of Positions-1)*5.0

Tolerances	Dwg. No.	8933D02002	Title:		 OUPIIN ELECTRONIC(KUNSHAN) CO., LTD. P/N: 8933-F110136UABxxB SHEET 1/1 Ver.No. A3
x = ±0.5	Projection		8933 Series		
.x = ±0.30	Unit mm	Scale 1:1	5.0mm Terminal Block (8500-xxFTS40-02)		
.xx = ±0.15	Drawn By	Peggy07/12'12	①780		

