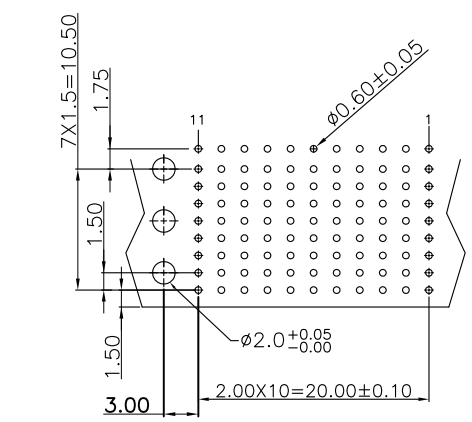
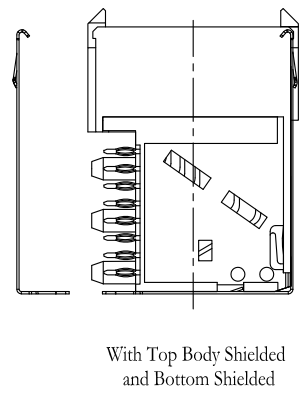
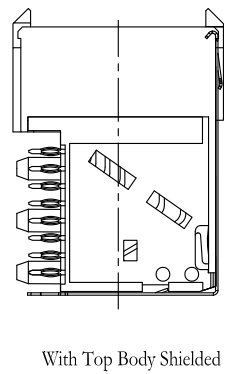
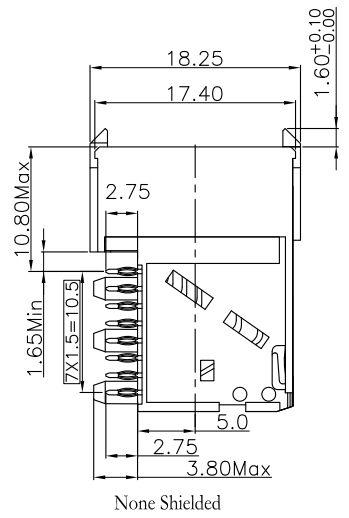
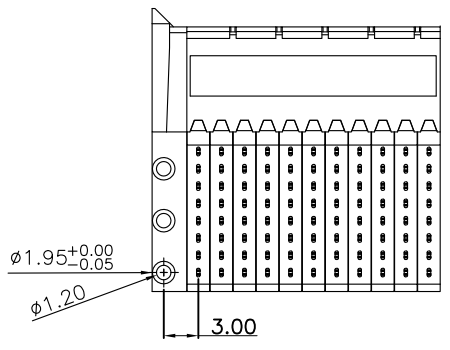
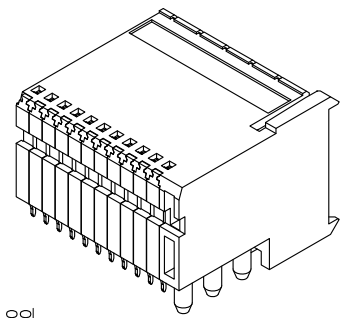
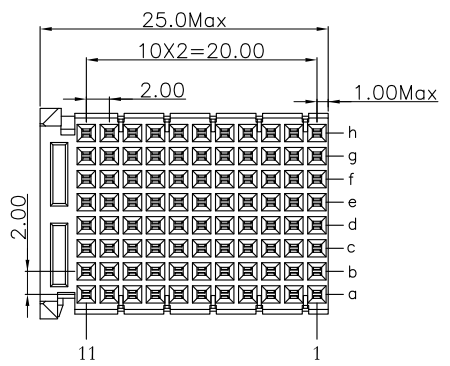


| | | | |
|------|---------------|-----------|-------|
| REV. | SPECIFICATION | ECN NO. | APPD. |
| R8 | | ECN170312 | |

Material:
Housing: Thermoplastic Polyester Glass Filled UL94V-0.
Contacts: Copper Alloy.

Electrical Characteristics:
Current Rating: 1 AMP.
Dielectric Withstanding Voltage: AC 750V For 1 minute.
Insulator Resistance: 10000MΩ min. at DC 500V.
Contact Resistance: 20mΩ max. at DC 100mA.
Operating Temperature: -55°C ~+125°C .
*RoHS Compliant



P.C. Board Layout
(Top View)

9111- 10 2 F 88 x CB 30 U

Series — 10Row — 2: Female — F: Type F — Position — 1: None Shielded — 2: Top Body Shielded — 3: Top Body Shielded and Bottom Shielded (Package Separately)

U: Tube package
30: 30 u"
CB: Dip Tin Plated
Contact Au+Pd/Ni Plated

| | | |
|-------------------|-------------------|----------------|
| Tolerances | Dwg. No. | 9111-D0000-010 |
| x = ±0.5 | Projection | |
| .x = ±0.25 | Unit | mm |
| .xx = ±0.15 | Scale | 1:1 |
| | Drawn By | zbs 03/17'17 |

Title:
9111 Series
Hard Metric Connector
Female Right Angle Type F

| | | | |
|-------------------------------------|-----|---------|----|
| OUPIN | | | |
| OUPIN ELECTRONIC(KUNSHAN) CO., LTD. | | | |
| P/N: 9111-102F88xCB30U | | | |
| SHEET | 1/1 | Ver.No. | R8 |