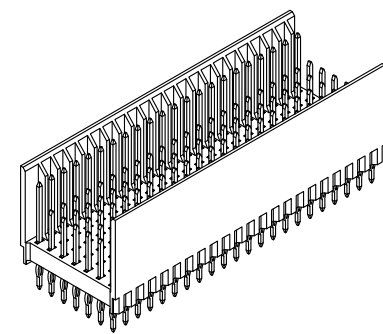
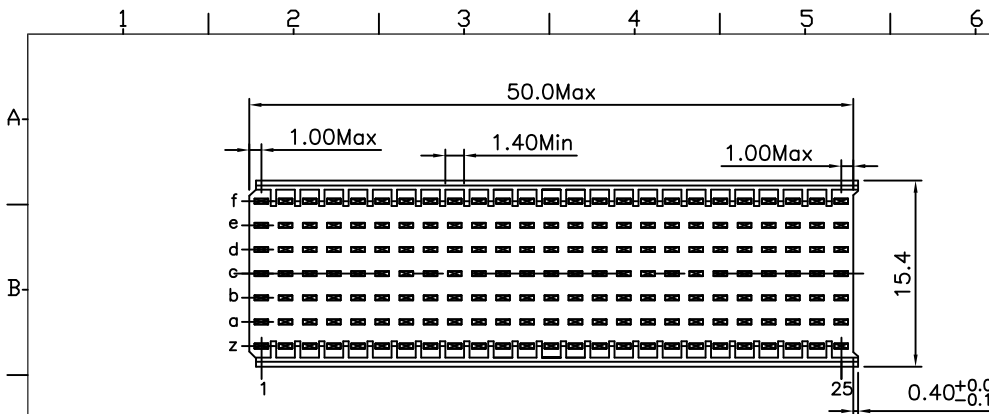


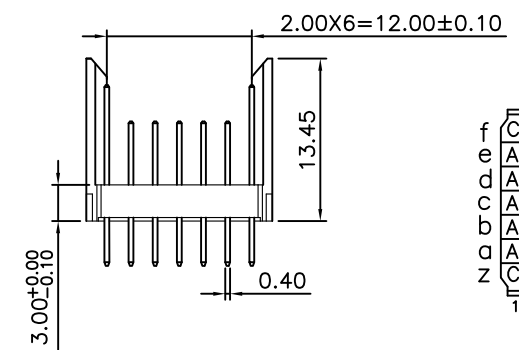
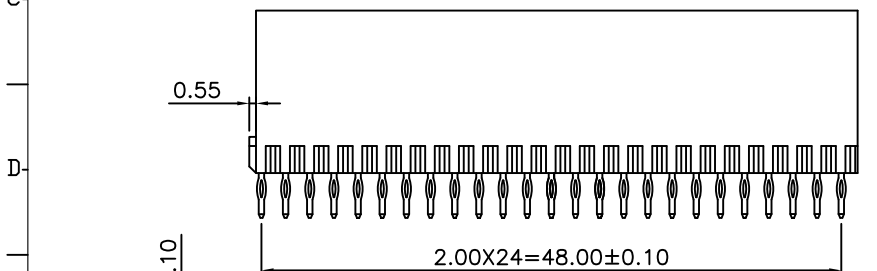
REV.	SPECIFICATION	ECN NO.	APPD.
R3			



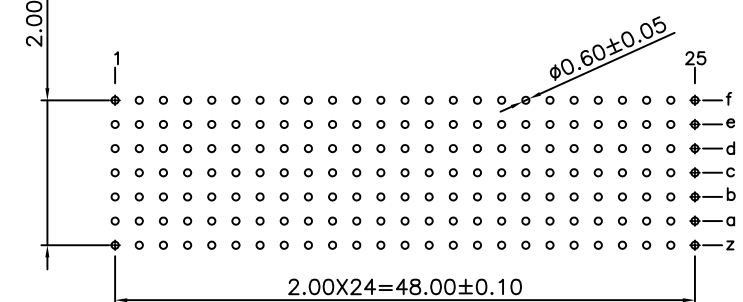
**Material:**  
**Housing:** Thermoplastic Polyester Glass Filled UL94V-0  
**Contacts:** Copper Alloy

**Electrical Characteristics:**  
**Current Rating:** 1 AMP.  
**Dielectric Withstanding Voltage:** AC 750V For 1 minute.  
**Insulator Resistance:**  $10000\text{M}\Omega$  min.at DC 500V.  
**Contact Resistance:**  $20\text{m}\Omega$  max.at DC 100mA.  
**Operating Temperature:**  $-55^{\circ}\text{C} \sim +125^{\circ}\text{C}$ .

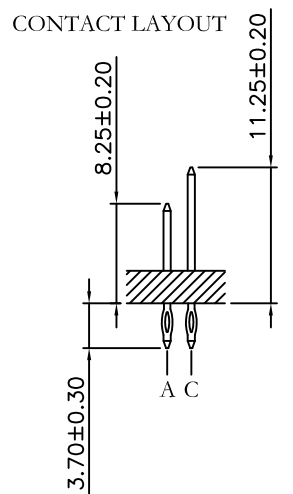
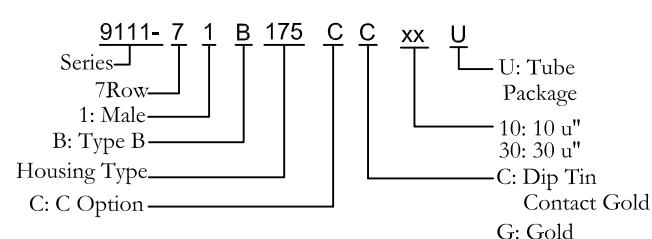
**\*RoHS Compliant**



f	C	C	C	C	C	C	C	C	C	C	C	C	C	C	C	C	C	C	C	C	C	C	C		
e	A	A	A	A	A	A	A	A	A	A	A	A	A	A	A	A	A	A	A	A	A	A	A		
d	A	A	A	A	A	A	A	A	A	A	A	A	A	A	A	A	A	A	A	A	A	A	A		
c	A	A	A	A	A	A	A	A	A	A	A	A	A	A	A	A	A	A	A	A	A	A	A		
b	A	A	A	A	A	A	A	A	A	A	A	A	A	A	A	A	A	A	A	A	A	A	A		
a	A	A	A	A	A	A	A	A	A	A	A	A	A	A	A	A	A	A	A	A	A	A	A		
z	C	C	C	C	C	C	C	C	C	C	C	C	C	C	C	C	C	C	C	C	C	C	C		
	1	2	3	4	5	6	7	8	9	10	11	12	13	14	15	16	17	18	19	20	21	22	23	24	25



P.C. Board Layout  
(Top View)



<b>Tolerances</b>	Dwg. No.	9111D71041		Title:		<b>9111 Series</b> <b>Hard Metric Connector</b> <b>Male Type B-25</b>	 <b>OUPIIN ELECTRONIC(KUNSHAN) CO., LTD.</b>				
x = ±0.5	Projection			P/N: 9111-71B175CCxxU			SHEET	1/1	Ver.No.	R3	
.x = ±0.25	Unit	mm	Scale	1:1							
.xx = ±0.15	Drawn By	Zhu QL 08/02'12									