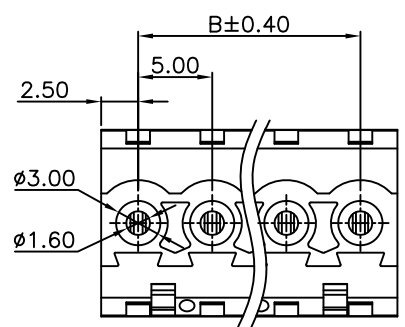
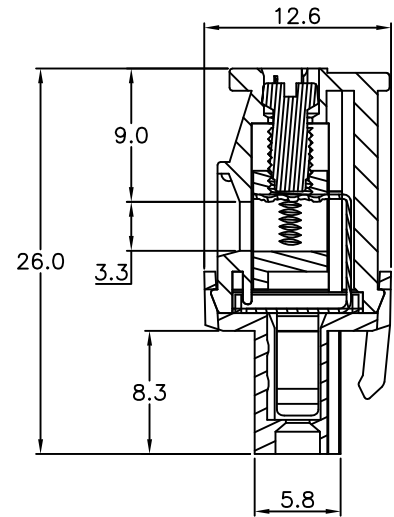
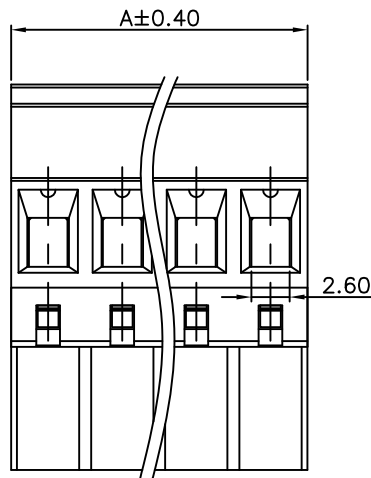
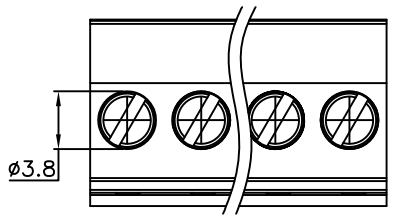


REV.	SPECIFICATION	ECN NO.	APPD.



Material:
Housing: Thermoplastic Polyester Glass Filled UL94V-0.
Contacts: Copper Alloy, Tin Plated.
Cover: Thermoplastic Polyester Glass Filled UL94V-0.
Clamp: Copper Alloy, Ni Plated.
Terminal Screw: Metal, Zinc Plated, M3.
Electrical Characteristics:
Voltage Rating: 300V AC
Current Rating: 15A
Solid Wire(AWG): 12-24
Stranded Wire(AWG): 12-24
Torque: 3.5Lb-In
Wire Strip Length: 6-7mm
Withstanding Voltage: 1.6KV
Operating Temperature: -40°C~+115°C
***RoHS Compliant**

8933- F 126260 G AA CF xx B
 Series F:Pitch 5.0mm Manufacturing Code G:Green AA:Slotted "—"Screw CF:W/O Flange Right Hook No. of Positions B:Bulk Package

Position	2 Thru 24
Dimension	
A	No. of PositionsX5.0
B	(No. of Positions-1)X5.0

Tolerances	Dwg. No.	8933D02021
X= ±0.50	Projection	\oplus \triangleleft
.X= ±0.30	Unit	mm
.XX= ±0.15	Scale	1:1
	Drawn By	Vic Lyu01/08'15

Title:
 8933-F Series
 5.0mm Terminal Block

OUPIN
OUPIN ELECTRONIC(KUNSHAN) CO., LTD.
P/N: 8933-F126260GAACFxxB

SHEET	1/1	Ver.No.	X2
--------------	-----	----------------	----

780