

|      |               |         |       |
|------|---------------|---------|-------|
| REV. | SPECIFICATION | ECN NO. | APPD. |
|------|---------------|---------|-------|

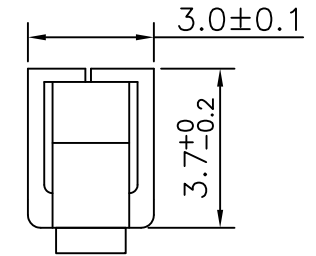
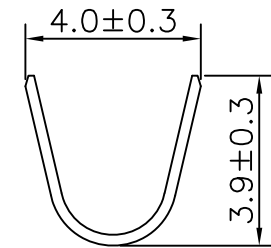
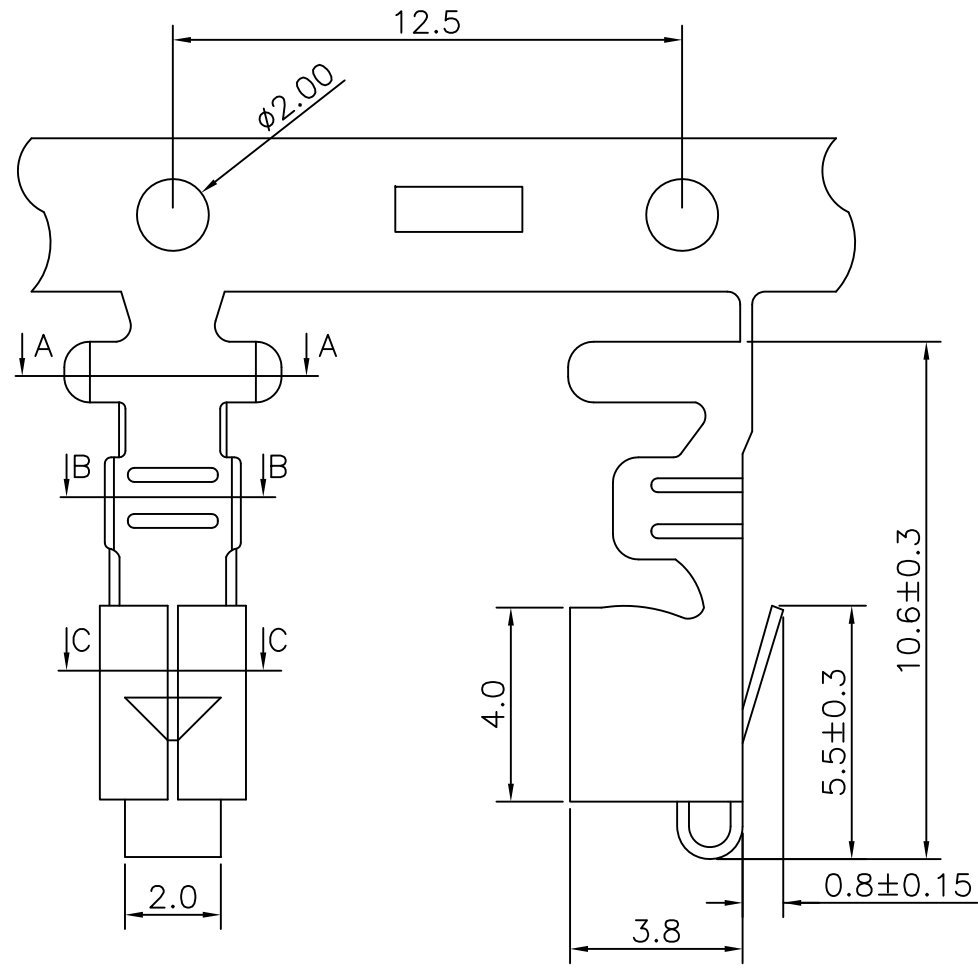
**Material**

Terminal Material: Brass(0.25 Thickness)

Terminal Plating: 100u" Tin Plated over Nickel 30u"

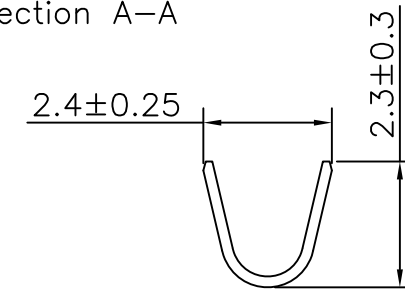
Recommend Wire: 18AWG to 22AWG

**\*RoHS Compliant**



Section A-A

Section C-C



Section B-B

4776- PIN-T-4K  
 Series T: Tin Plated 4k Pins Per Reel

|   |            |             |       |   |  |  |  |  |
|---|------------|-------------|-------|---|--|--|--|--|
| Tolerances<br>x = $\pm 0.50$<br>.x = $\pm 0.35$<br>.xx = $\pm 0.15$ | Dwg No.    | 4776P02001  |       | Title:<br>4776 Series<br>3.96mm Wire-To-Board<br>Terminal<br>①704 | <br>OUPIIN ELECTRONIC(KUNSHAN) CO., LTD. |  |  |  |
|   | Projection |             |       |   |  |  |  |  |
|   | Unit       | mm          | Scale |   | 1:1                                      |  |  |  |
|   | Drawn By   | ZJ 05/30'18 |       |   |  |  |  |  |