

REV.	SPECIFICATION	ECN NO.	APPD.

Material:

Contacts: Brass.
Terminal Plating: 80u" Tin Plated on Contact Area and 80u" Tin Plated on Crimping Area over Nickel 50u" or Gold Plated on Contact Area and 80u" Tin Plated on Crimping Area over Nickel 50u".

Recommend Wire: T1:18AWG TO 24AWG,
T2:22AWG TO 28AWG.
T3:16AWG.

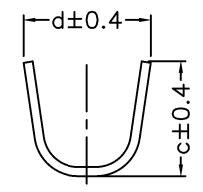
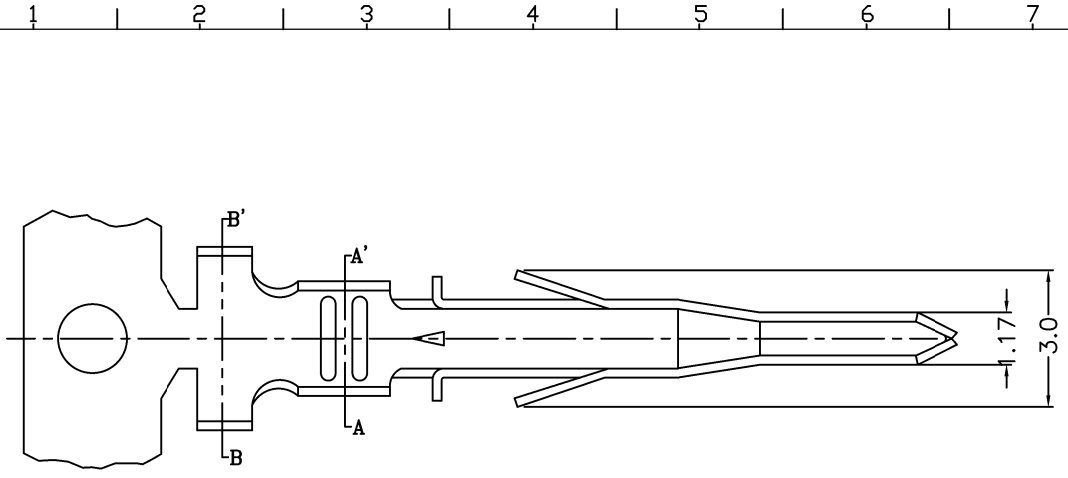
Electrical Characteristics:

Current Rating:

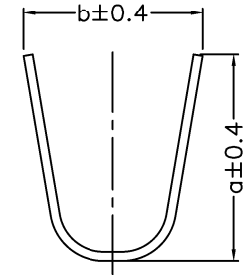
Ckt.Size	12~24	7~10	4~6	2~3
AWG#16	6A	7A	8A	9A
AWG#18	6A	7A	8A	9A
AWG#20	5A	5A	6A	7A
AWG#22	4A	4A	4A	5A
AWG#24	3A	3A	3A	4A
AWG#26	2A	2A	2A	3A
AWG#28	1A	1A	1A	2A

Dielectric Withstanding Voltage: AC 1500V For 1 minute.
Contact Resistance: 10MΩ max. at AC 100V.
Crimp Resistance: 5mΩ max.
Operating Temperature: -40°C~+105°C.

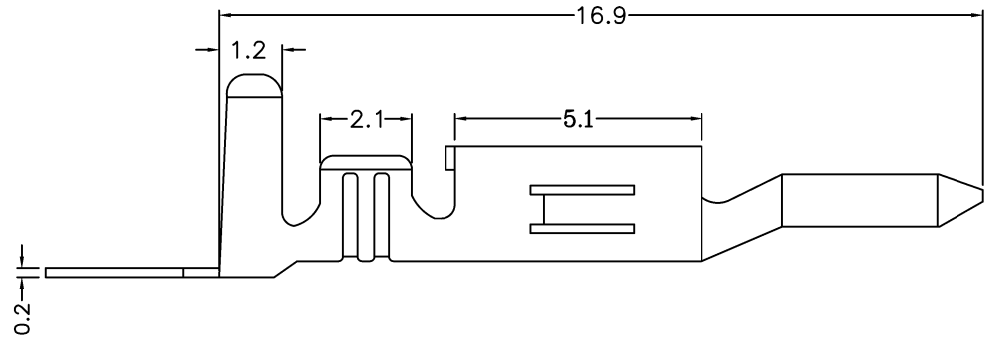
***RoHS Compliant**



Section A-A'



Section B-B'



Wire Gauge	Type	Dimension			
		a	b	c	d
18~24AWG	T1	4.5	3.6	2.3	1.9
22~28AWG	T2	2.3	2.3	1.65	1.8
16AWG	T3	4.5	3.6	2.8	2.4

4973- PIN M- 5K -Tx -xxx
Series M: Male 5K Pins Per Reel T1: Wire Range 18-24AWG T2: Wire Range 22-28AWG T3: Wire Range 16AWG
Blank: Tin Plated.
C00: Selective Gold Plated Gold Flash.
C30: Selective Gold Plated 30u".

Tolerances	Dwg. No.	4973P01001	Title:	4973 Series Male Terminal	 DUPIN ELECTRONIC(KUNSHAN) CO., LTD. P/N: 4973-PIN-M-5K-Tx-xxx	
x = ±0.5	Projection		667			
.x = ±0.4	Unit	mm				Scale
.xx = ±0.25	Drawn By	Martin 12/15'21	SHEET			1/1