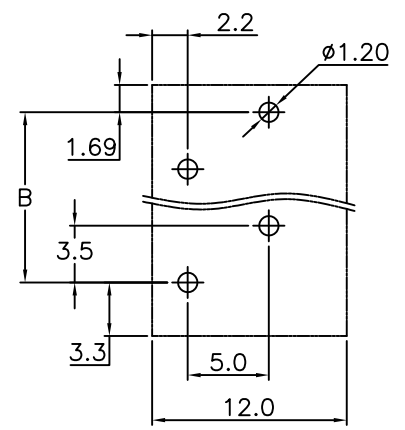
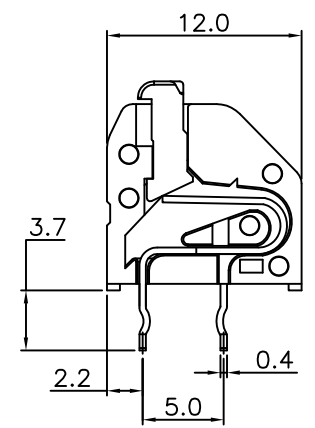
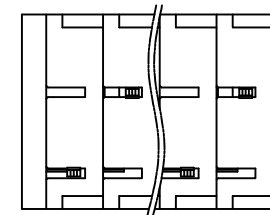
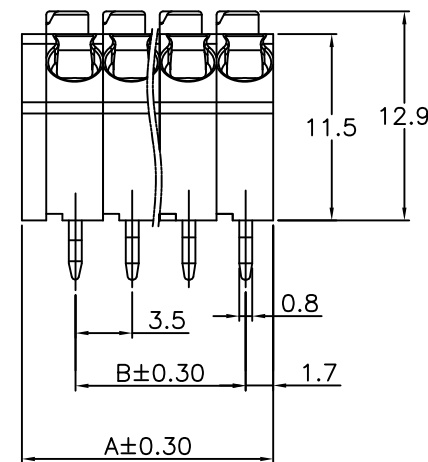
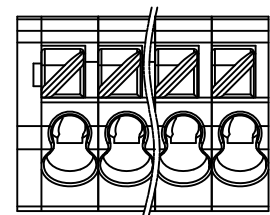


REV.	SPECIFICATION	ECN NO.	APPD.

Material:
Housing: Thermoplastic Polyester UL94V-0.
Solder Pin: Copper Alloy, Tin Plated.
Electrical Characteristics:
Voltage Rating: 300V.
Current Rating: 6A.
Solid Wire(AWG): 16~22.
Stranded Wire(AWG): 16~22.
Wire Strip Length: 8.5~10mm.
Withstanding Voltage: 1.6KV.
Operating Temperature: -40°C~+115°C
***RoHS Compliant**



P.C. Board Layout

8935- C 120129 Y EB xx S B
Series C:Pitch Manufacturing Y:Grey EB Type No. of S:Straight B:Box Package
3.5mm Code O:Orange Positions G:Green

Position	2 Thre 24
Dimension	
A	No. of PositionsX3.5+1.5
B	(No. of Positions-1)X3.5

Tolerances	Dwg. No.	8935D02007
X= ±0.50	Projection	
.X= ±0.30	Unit	mm
.XX= ±0.15	Scale	1:1
	Drawn By	Peggy12/04'15

Title:
8935 Series
3.5mm Terminal Block
(8300-XXTS32-03)

OUPIN
OUPIN ELECTRONIC(KUNSHAN) CO., LTD.
P/N: 8935-C120129YEBxxSB
SHEET 1/1 Ver.No. X2

780