

REV.	SPECIFICATION	ECN NO.	APPD.

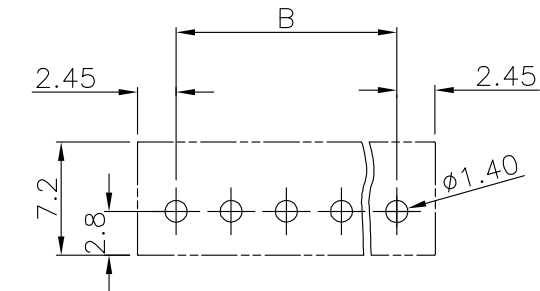
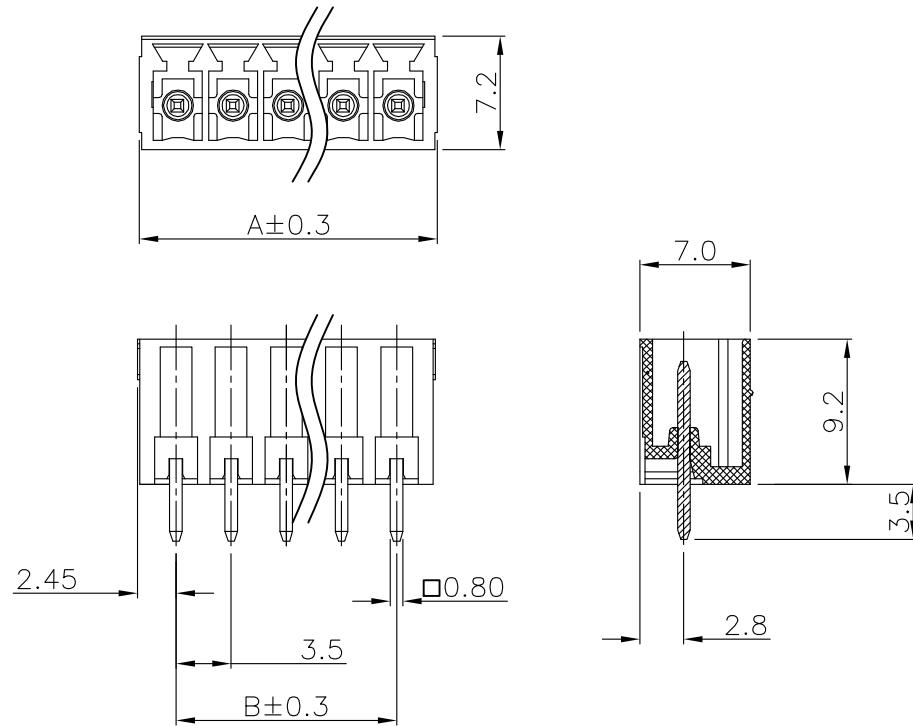
**Material:**

Housing: Thermoplastic Polyester UL94V-0.  
Contact Pin: Copper Alloy, Tin Plated.

**Electrical Characteristics:**

Voltage rating: 300V  
Current rating: 10A  
Withstanding Voltage: 1.6 KV  
Operating temperature: -40°C ~ +115°C

**\*RoHS Compliant**



P.C.Board Layout

8930- C 070092 G BA xx S B  
 Series C: Pitch 3.5mm Manufacturing Code G:Green BA:Close Type No.of Positions S: Straight B: Bulk Package for 2~5Pos. Box Package for 6~24Pos.  
 B:Black Y:Grey U:Blue

Position	2 Thru 24
Dimension	
A	No.of PositionsX3.5+1.4
B	(No.of Positions-1)X3.5

Tolerances	Dwg. No.	8930D01018	Title:		<b>OUPIIN</b> OUPIIN ELECTRONIC(KUNSHAN) CO., LTD. P/N: 8930-C070092GBAxxSB SHEET 1/1 Ver.No. A1
x = $\pm 0.5$	Projection	$\oplus$ $\triangleleft$	8930 Series		
.x = $\pm 0.30$	Unit	mm	Scale	1:1	
.xx = $\pm 0.15$	Drawn By	ZJJ 09/06'12	3.5mm Terminal Block (8300-xxMTS11-01)		
			① 780		