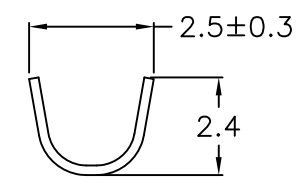
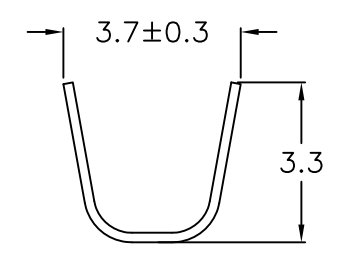


REV.	SPECIFICATION	ECN NO.	APPD.

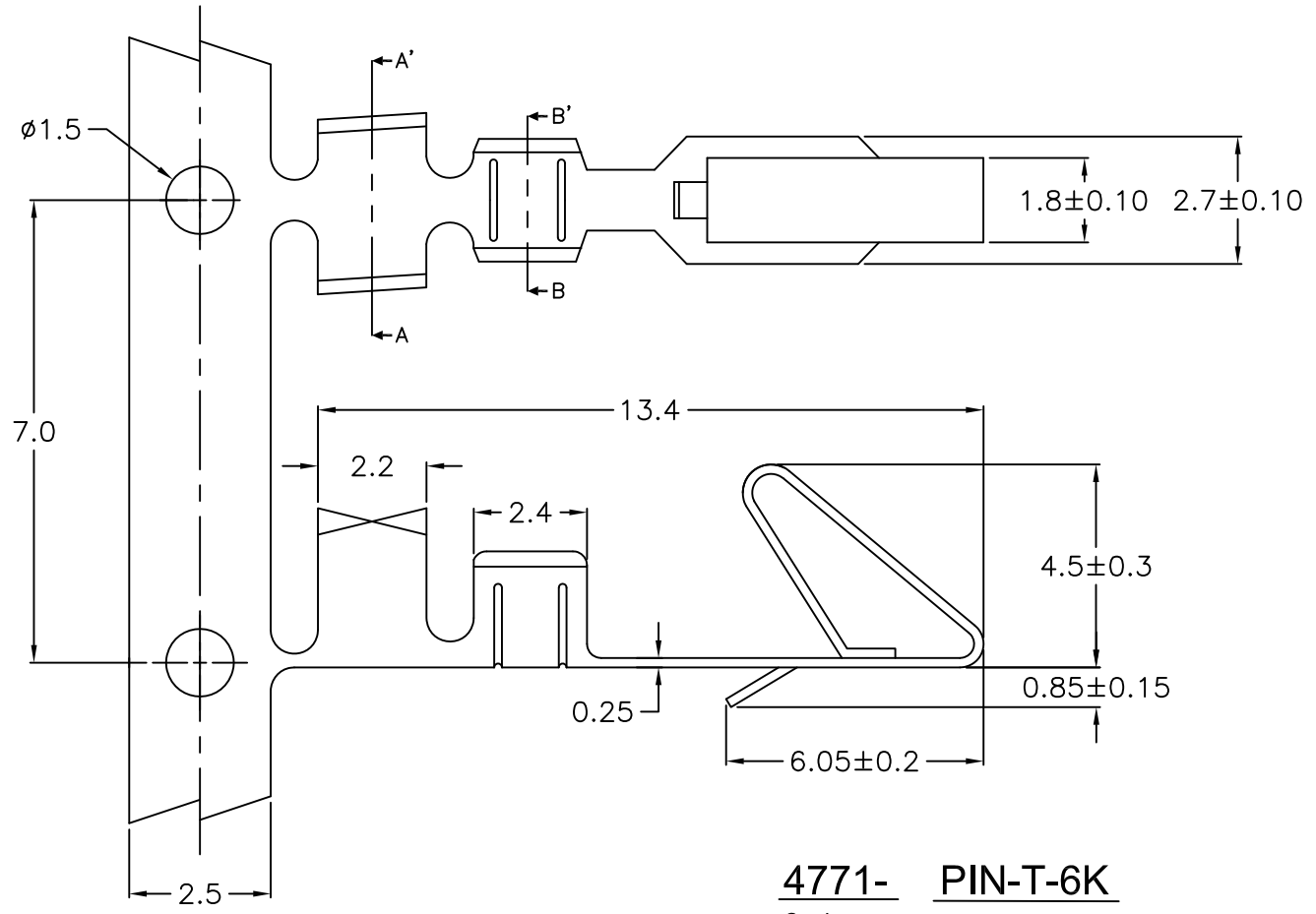
Material:
Terminal Material: Copper Alloy.
Terminal Plating: Tin Plating
Recommend Wire: 18 AWG to 24 AWG
Insulation O.D.: 2.8~1.4mm Max.
***RoHS Compliant**



Section B-B'



Section A-A'



4771- PIN-T-6K
Series T: Tin Plated 6K Pins Per Reel

Tolerances	Dwg No.	4771P02001		Title:	
x = ±0.5	Projection			4771 Series Female-PIN	
.x = ±0.35	Unit	mm	Scale		1:1
.xx = ±0.25	Drawn By	Vic Lyu10/21'15			704

OUPIN			
OUPIN ELECTRONIC(KUNSHAN) CO., LTD.			
P/N: 4771-PIN-T-6K			
SHEET	1/1	Ver.No.	A6