

REV.	SPECIFICATION	ECN NO.	APPD.

**Material:**

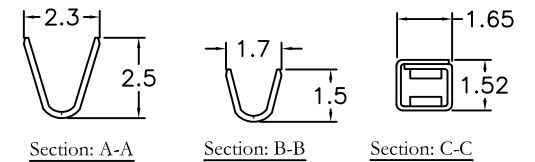
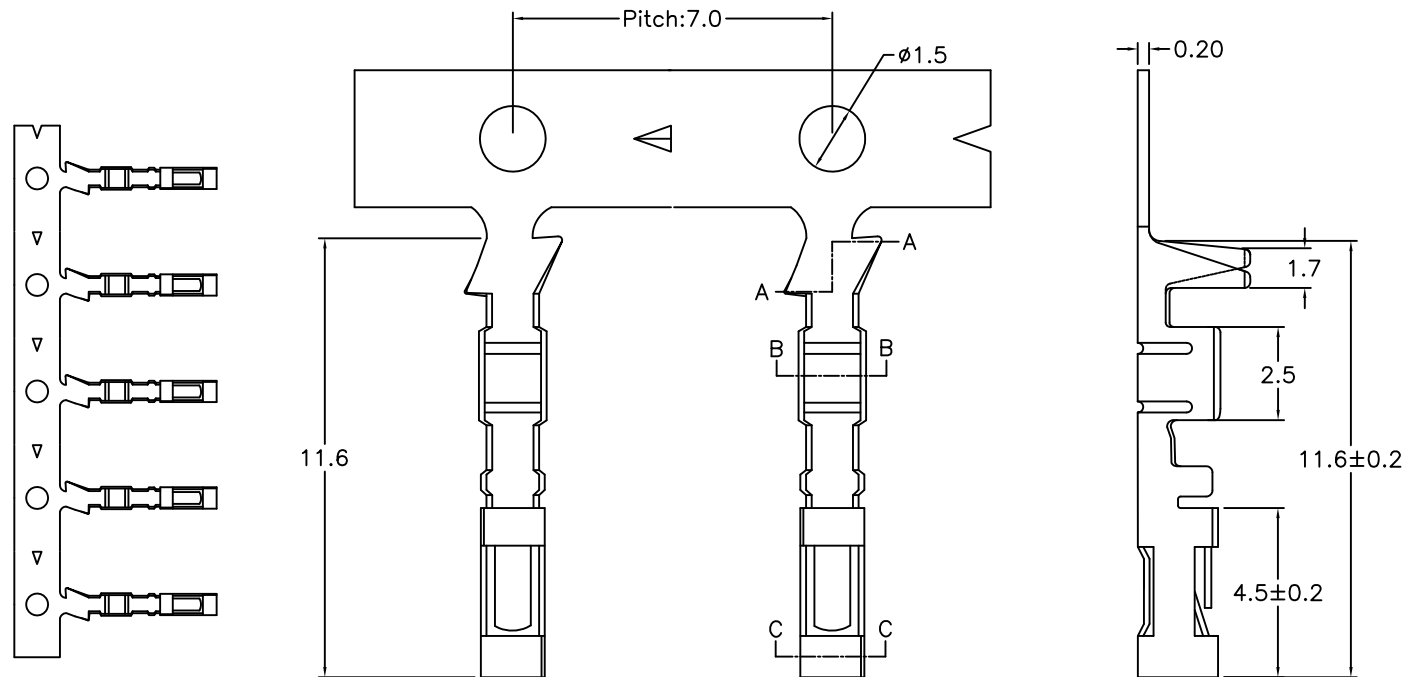
Contacts: Copper Alloy.

Terminal Plating: Tin Plated.

Recommend Wire: 22AWG to 28AWG.

Insulation OD: 1.6~1.2mm.

**\*RoHS Compliant**



**4072- Pin-T-10K**

Series T: Tin Plated 10k pins Per Reel

<b>Tolerances</b>	<b>Dwg. No.</b>	4072P02001		<b>Title:</b>	
x = ±0.50	<b>Projection</b>	⊕ ↗		4072 Series Terminal 2.54mm	
.x = ±0.25	<b>Unit</b>	mm	<b>Scale</b>		1:1
.xx = ±0.15	<b>Drawn By</b>	Vic Lyu 10/13'15			

Ⓞ704



**OUPIIN ELECTRONIC(KUNSHAN) CO., LTD.**

**P/N:** 4072-PIN-T-10K

<b>SHEET</b>	1/1	<b>Ver.No.</b>	A4
--------------	-----	----------------	----