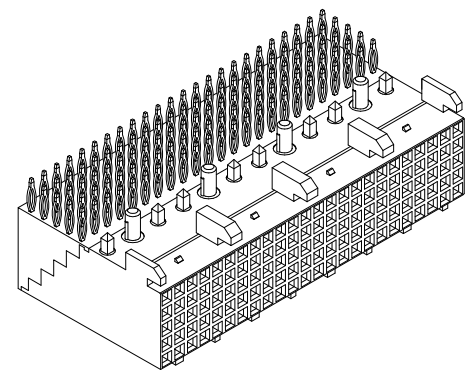
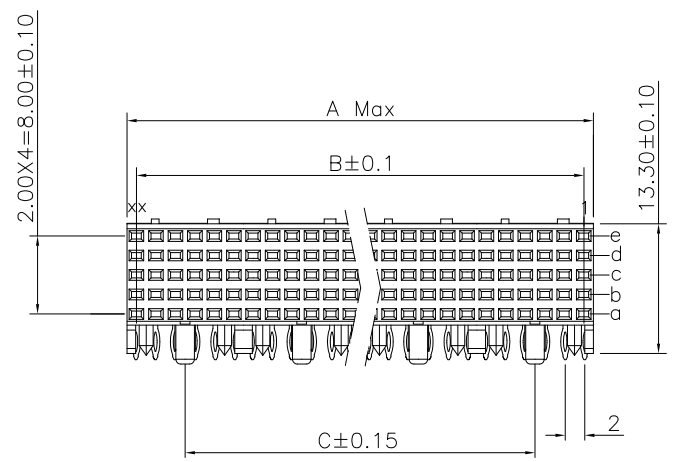


REV.	SPECIFICATION	ECN NO.	APPD.
R9		ECN190847	



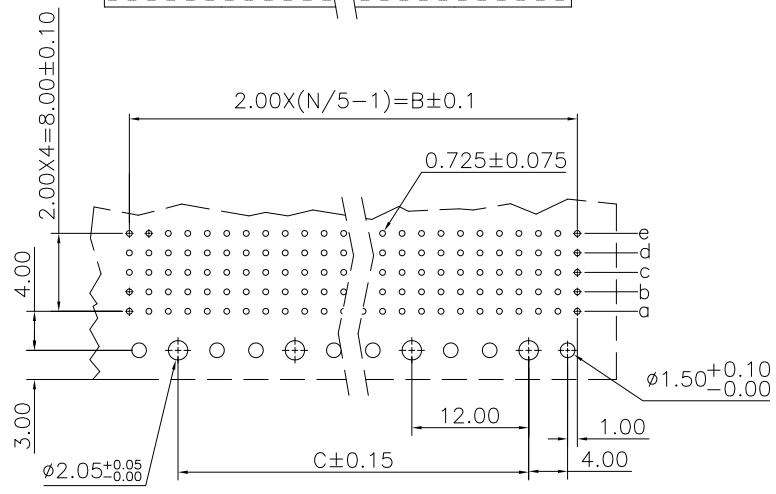
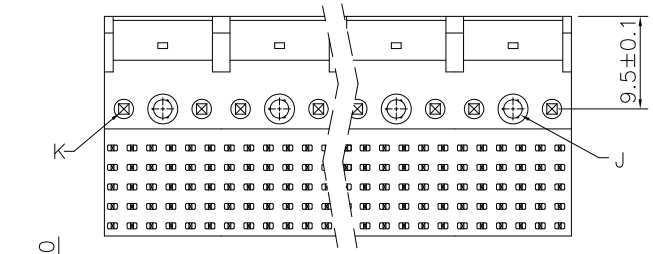
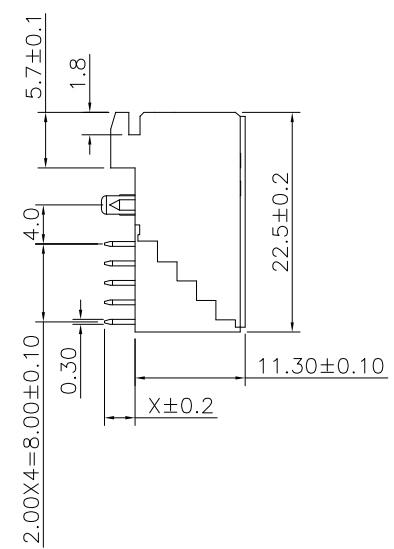
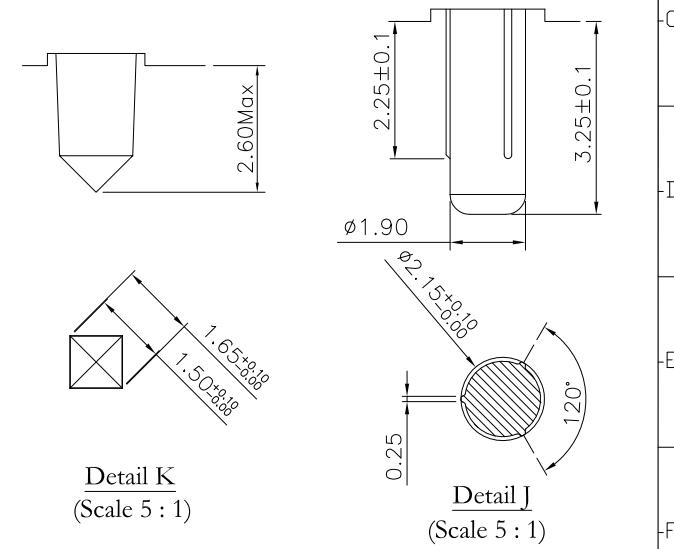
Material and Plating:

Housing: LCP, UL94V-0, Ivory.
 Contacts: Phosphor bronze .
 Gold plated on Contact Area and 80u"Min
 Tin Plated on Solder Tail over Nickel 50u" Min .

Electrical Characteristics:

Current Rating: 1 AMP.
 Dielectric Withstanding Voltage: AC 1000V For 1 minute.
 Insulator Resistance: 1000MΩ min. at DC 500V.
 Contact Resistance: 30mΩ max. at DC 100mA.
 Operating Temperature: -55°C~+125°C .

***RoHS Compliant**



P.C. Board Layout

9111-52 xx x C xx P U

- Series
- 5: 5Rows
- 2: Female Signal
- Position
- 1: Dip Length
- 2: Dip Length
- U: Tube Package
- P: Press Fit Type
- 10: 10 μ"
- 30: 30 μ"
- C: Dip Tin Plated
- Contact Gold Plated
- G: Gold Plated

X Length	Dimension		
	1	2	
Position	2.90	3.53	
30	11.95	10	0
60	23.95	22	12
90	35.95	34	24
120	47.95	46	36
150	59.95	58	48
180	71.95	70	60
210	83.95	82	72
240	95.95	94	84
270	107.95	106	96
300	119.95	118	108
330	131.95	130	120
360	143.95	142	132
390	155.95	154	144

Tolerances	Dwg. No.	9111D52002	Title:	9111 Series H.D.Female 2.0mm(0.079") Futurebus(+)-5Rows Female Right Angle Type	 OUPIIN ELECTRONIC(KUNSHAN) CO., LTD. P/N: 9111-52xxxCxxPU SHEET 1/1 Ver.No. R9
x = ±0.5	Projection				
.x = ±0.25	Unit	mm	Scale	1:1	
.xx = ±0.15	Drawn By	WQ 08/27'19			