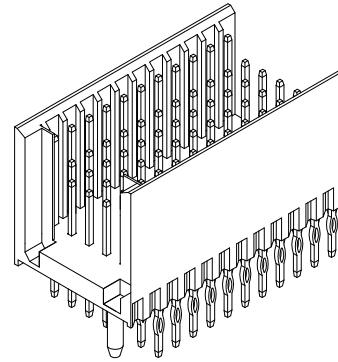
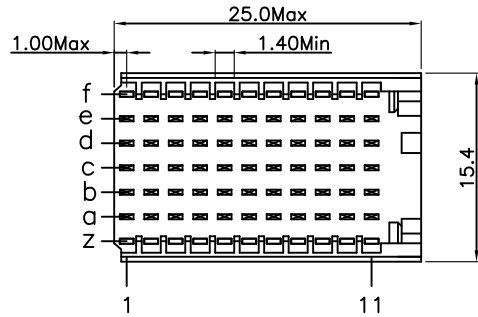


REV.	SPECIFICATION	ECN NO.	APPD.
R5		ECN181154	



Material and Plating:

Housing: PBT, UL94V-0, Beige.

Contacts: Brass.

Gold Plated on Contact Area and 80 μ" min Tin or Gold Flash Plated on Press Fit over 50 μ" min Nickel.

Or Au+Pd/Ni on Contact Area and 80u" min Tin on Press Fit over 50 u" min Nickel.

Electrical Characteristics:

Current Rating: 1 AMP.

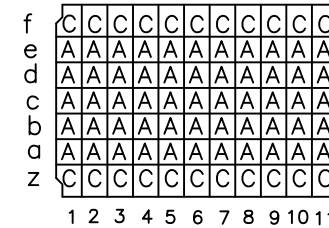
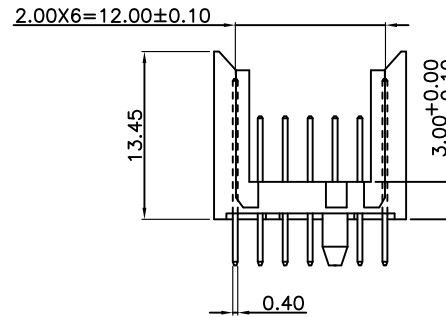
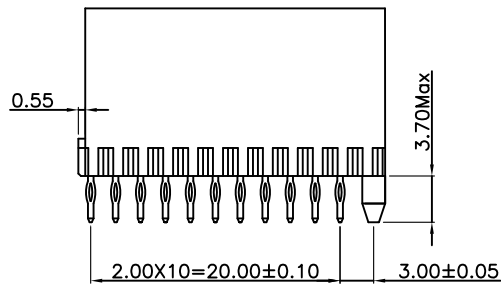
Dielectric Withstanding Voltage: AC 750V For 1 minute.

Insulator Resistance: 10000MΩ min. at DC 500V.

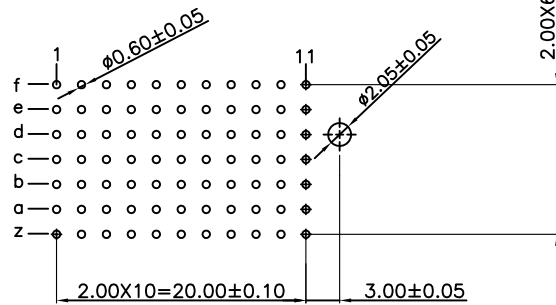
Contact Resistance: 20mΩ max. at DC 100mA.

Operating Temperature: -55°C~+125°C .

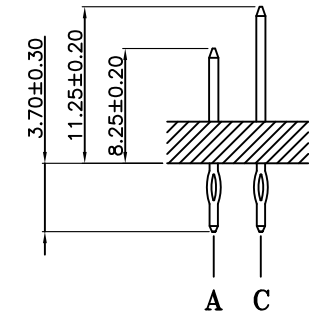
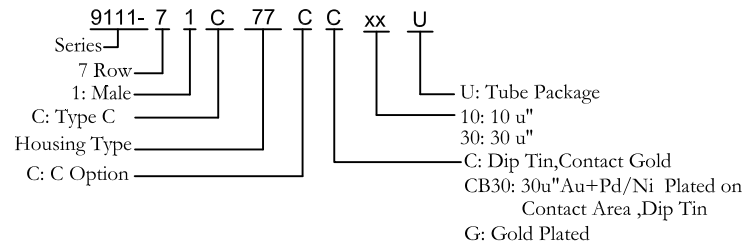
***RoHS Compliant**



CONTACT LAYOUT



P.C. Board Layout
(Top View)



Tolerances	Dwg.No.	9111D71074	
x = ±0.5	Projection	⊕ ◀	
.x = ±0.25	Unit	mm	Scale 1:1
.xx = ±0.15	Drawn By	dyq 11/29'18	

9111 Series
Hard Metric Connector
Male Type C



OUPIIN ELECTRONIC(KUNSHAN) CO., LTD.

P/N: 9111-71C77CC(CB)xxU

SHEET 1/1 Ver.No. R5