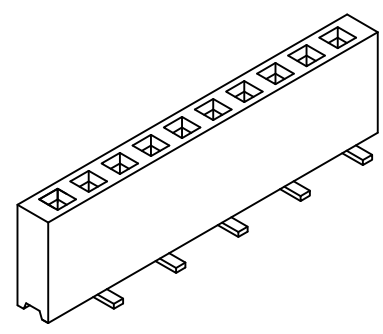
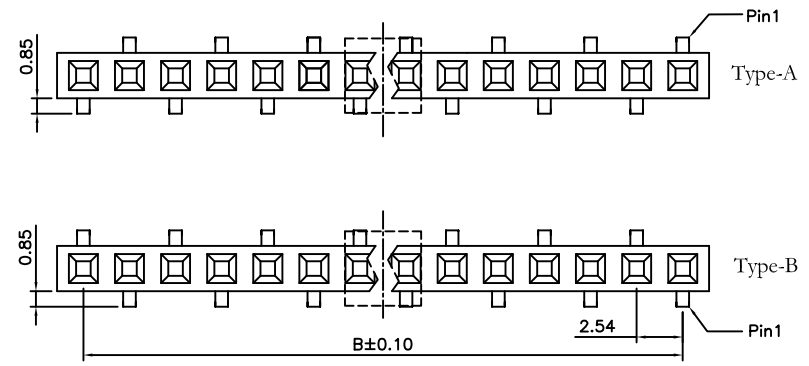


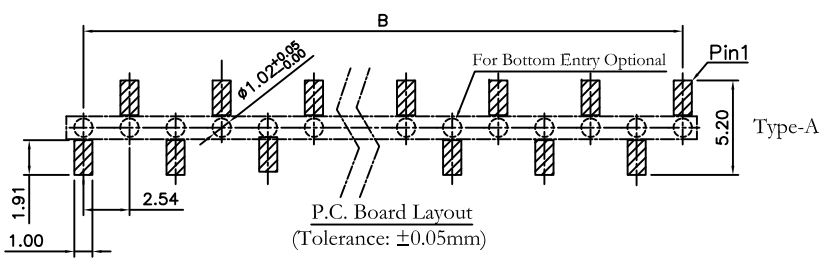
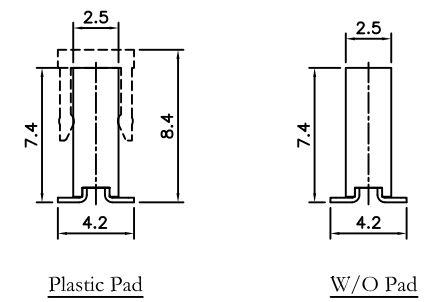
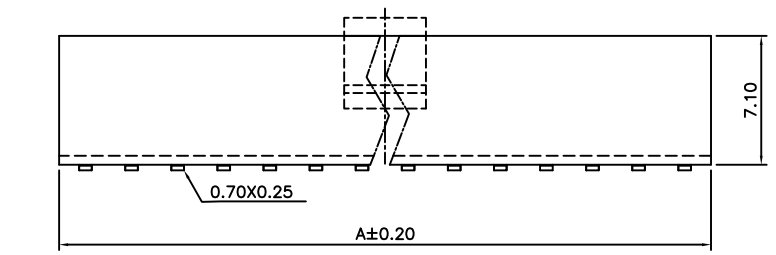
REV.	SPECIFICATION	ECN NO.	APPD.
R5		ECN111029	



Material:
Housing: High Temperature Plastic UL94V-0.
Contacts: Copper Alloy.

Electrical Characteristics:
Current Rating: 2 AMP.
Dielectric Withstanding Voltage: AC 1000V For 1 minute.
Insulator Resistance: 1000MΩ min. at DC 500V.
Contact Resistance: 20mΩ max. at DC 100mA.
Operating Temperature: -55°C~+105°C .

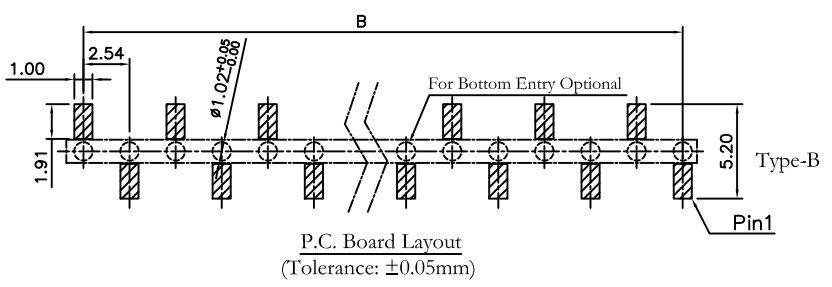
***RoHS Compliant**
Insertion Depth: 2.55mm to 6.40mm.
Bottom Entry Insertion Depth: 7.15mm min.
(Excluding PCB Thickness).



2043- 1 X xx G xx D x x -x

Series: 2043-
Single Row: 1
No. of Pin Per Row: X xx
G: Gold Plated
T: Tin Plated
00: G/F
10: 10 μ"
15: 15 μ"
30: 30 μ"

Blank: W/O Pad
P: Plastic Pad
U: Tube Package
T: Tape & Reel Package
A: Type A
B: Type B
D: SMD Type



Tolerances	Dwg. No.	2043-D0000-003
x = ±0.5	Projection	
.x = ±0.25	Unit	mm
.xx = ±0.15	Scale	1:1
	Drawn By	ZJJ 10/25'11

Title:
2043 Series
P.C.B. Socket 2.54mm
(0.100")

Position Dimension	2 Thru 40
A	2.54 x No.of Position
B	2.54 x No of Position -2.54
OUPIN	
OUPIN ELECTRONIC(KUNSHAN) CO., LTD.	
P/N: 2043-1XxxGxxDxx-x	
SHEET	1/1
Ver.No.	R5