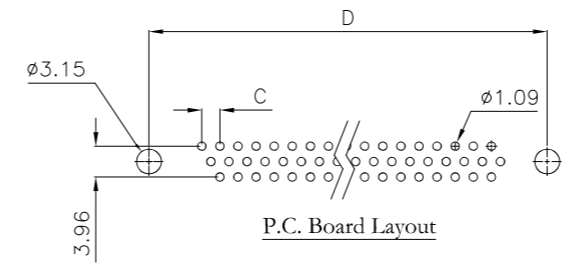
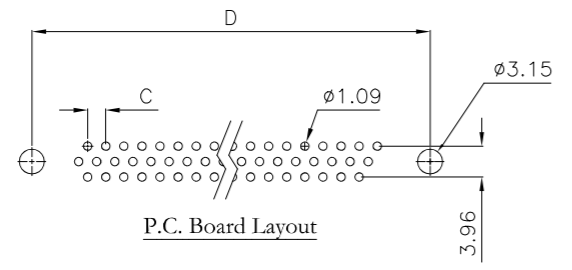
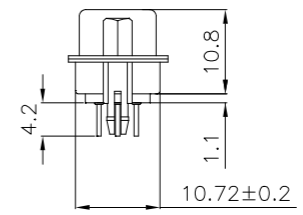
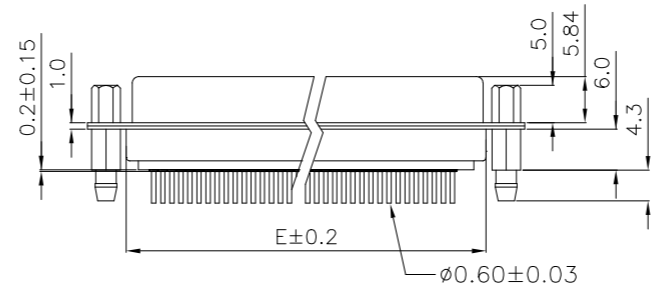
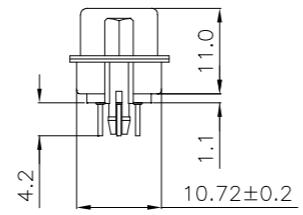
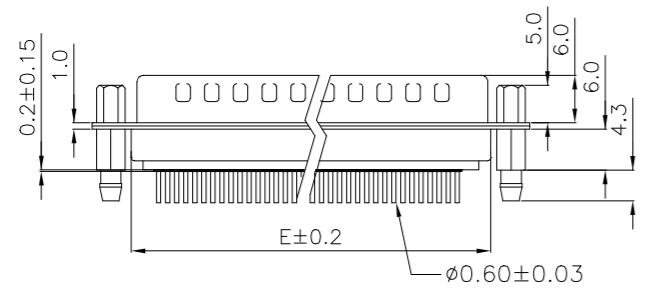
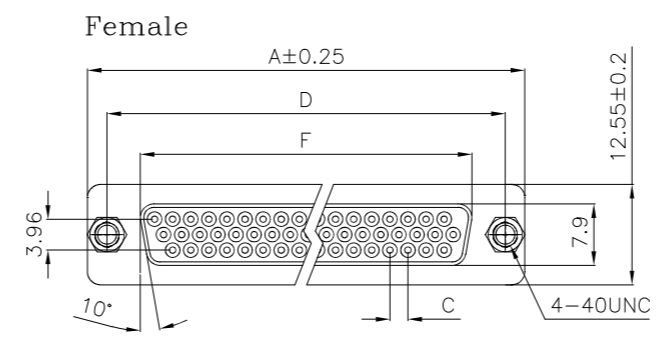
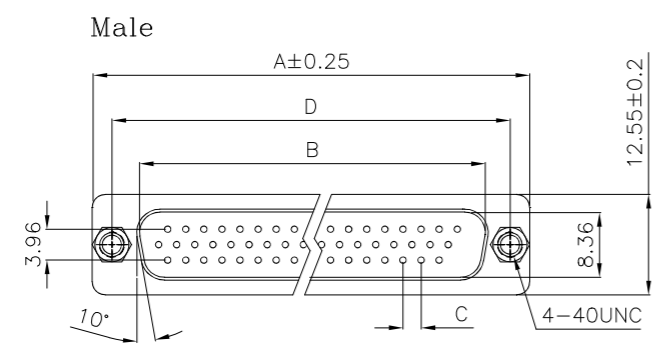


REV.	SPECIFICATION	ECN NO.	APPD.

Material:
Housing: PBT, UL94V-0.
Contacts: Brass, Gold Plated over Nickel 30 u" Min.
Shell: Steel.

Electrical Characteristics:
Current Rating: 1 AMP.
Dielectric Withstanding Voltage: AC 1000V.
Insulation Resistance: 1000MΩ min.
Contact Resistance: 20mΩ max.
Operating Temperature: -55°C~+105°C.
***RoHS Compliant**



7915- xx M T B G 00 N3N6 A

Series ——— xx ——— M ——— T ——— B ——— G ——— 00 ——— N3N6 ——— A ———

Position ———

M: Male
F: Female

B: Black
U: Blue
W: White

A: Tray Package
N3N6: With #4-40
Threaded Riveted
Brackets and Jack
Screw Assembled

00: G/F
G: Gold Plated

Position	Dimension					
	A	B	C	D	E	F
15	30.8	16.9	2.29	24.99	19.3	16.3
26	39.1	25.3	2.29	33.32	27.5	24.7
44	53.0	39.0	2.29	47.04	41.3	38.4
62	69.3	55.4	2.41	63.50	57.7	54.8

Tolerances	Dwg. No.	7915D03004	Title:	
x = ±0.5	Projection		7915 Series	
.x = ±0.25	Unit	mm	H.D. D-SUB	
.xx = ±0.15	Drawn By	Martin 06/09'22	Straight Type	
			① 767	

OUPIN			
OUPIN ELECTRONIC(KUNSHAN) CO., LTD.			
P/N: 7915-xxMTBG00N3N6A 7915-xxFTBG00N3N6A			
SHEET	1/1	Ver.No.	B2