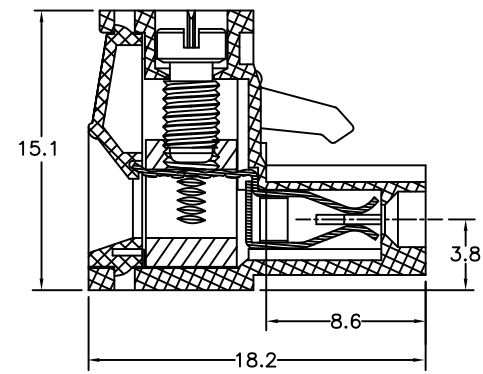
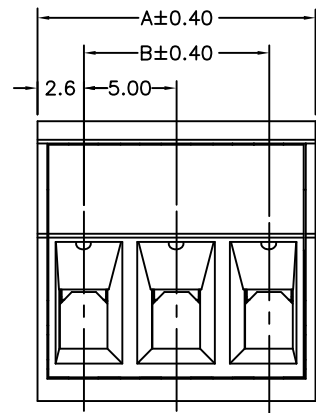
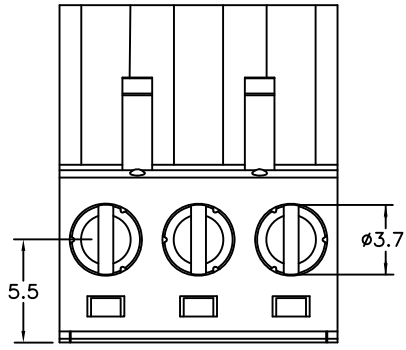


REV.	SPECIFICATION	ECN NO.	APPD.



**Material:**

Housing: Thermoplastic Polyester UL94V-0.  
 Female Contact: Copper Alloy, Tin Plated.  
 Clamp: Copper Alloy, Ni Plated.  
 Screw: Metal, Zinc Plated, M3.

**Electrical Characteristics:**

Voltage Rating: 300V  
 Current Rating: 20A  
 Solid Wire(AWG): 12-24  
 Stranded Wire(AWG): 12-24  
 Torque(LB-In): 5Lb-In  
 Wire Strip Length: 7-8mm  
 Withstanding Voltage: 1.6KV  
 Operating Temperature: -40°C~+115°C

**\*RoHS Compliant**

**8933-** **F** **151182** **G** **AA** **DC** **xx** **B**  
 Series F:Pitch 5.0mm Manufacturing Code G:Green B:Black Y:Grey U:Blue  
 AA:Slotted "—"Screw DC:W/O Flange With Hook Contact Down Side xx No. of Positions B: Bulk Package for 2~4Pos. Box Package for 5~24Pos.

Position	2 Thru 24
Dimension	
A	No. of Positions*5.0
B	(No. of Positions-1)*5.0

Tolerances	Dwg. No.	8933D02004	
x = ±0.5	Projection	⊕ ↯	
.x = ±0.30	Unit	mm	Scale 1:1
.xx = ±0.15	Drawn By	PEGGY11/24/15	

Title:  
 8933 Series  
 5.0mm Terminal Block  
 (8500-xxFTR11-01)  
 780

**OUPIN**  
 OUPIN ELECTRONIC(KUNSHAN) CO., LTD.  
 P/N: 8933-F151182GAADCxxB  
 SHEET 1/1 Ver.No. A4