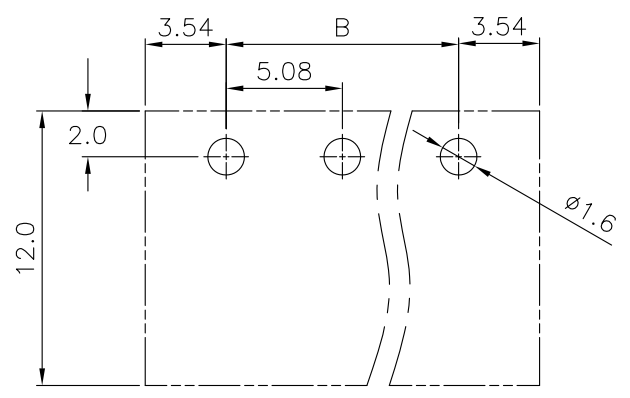
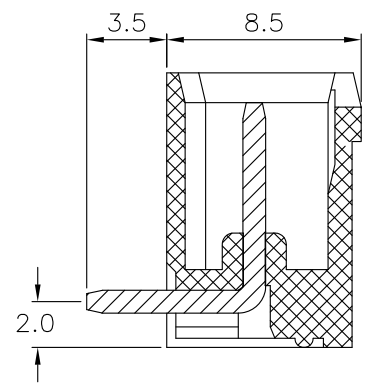
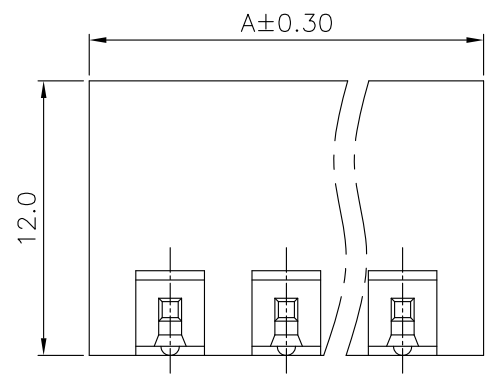
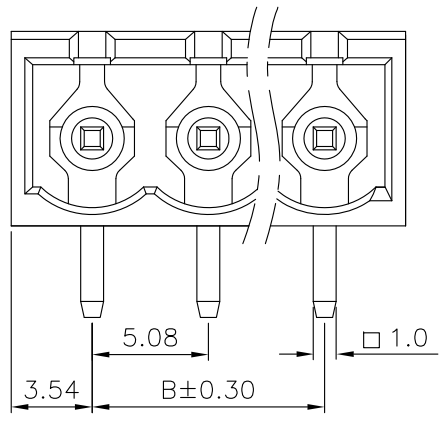


REV.	SPECIFICATION	ECN NO.	APPD.



P.C.Board Layout

**Material:**

Housing: Thermoplastic Polyester UL94V-0.

Contact Pin: Copper Alloy, Tin Plated.

**Electrical Characteristics:**

Voltage Rating: 300V.

Current Rating: 20A.

Withstanding Voltage: 1.6KV.

Operating Temperature: -40°C~+115°C.

**\*RoHS Compliant**

8930- G 085120 G BA xx R B  
 Series G:Pitch 5.08mm Manufacturing Code G:Green B:Black Y:Grey U:Blue BA:Close Type R:Right Angle B: Bulk Package for 2~5 Pos. Box Package for 6~24 Pos.

Position	02 Thre 24
Dimension	
A	No.of Position*5.08+2.0
B	(No.of Position-1)*5.08

Tolerances	Dwg. No.	8930D01002	Title:		8930 Series	 OUPIN ELECTRONIC(KUNSHAN) CO., LTD. P/N: 8930-G085120GBAxxRB
x = ±0.5	Projection		6800		5.08mm Terminal Block	
.x = ±0.30	Unit	mm	Scale	1:1	(8800-xxMTR11-01)	
.xx = ±0.15	Drawn By	Scott	Date	05/30'16		
						SHEET 1/1 Ver.No. A6