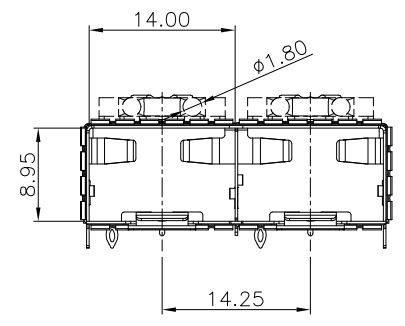
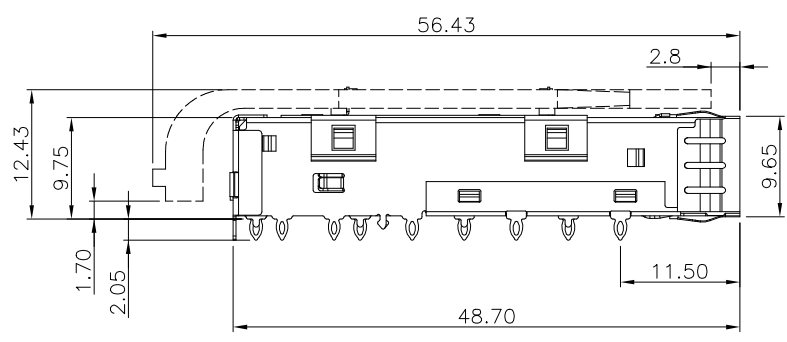
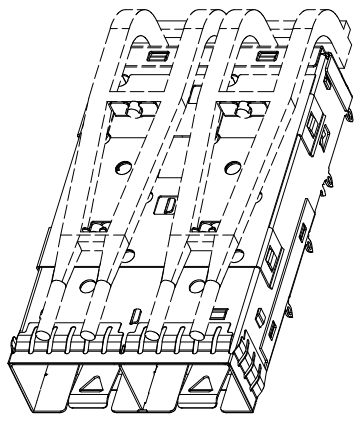
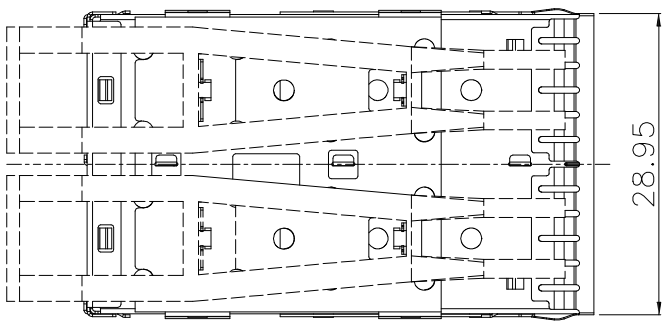

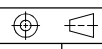


REV.	SPECIFICATION	ECN NO.	APPD.

Material:
 Cage: C7701-H
 Clip: Stainless Steel.
 Light Pipe: Polycarbonate, Clear.
Electrical Characterstlcs:
 Operating Temperature: -40°C~+85°C.
***RoHS Compliant**

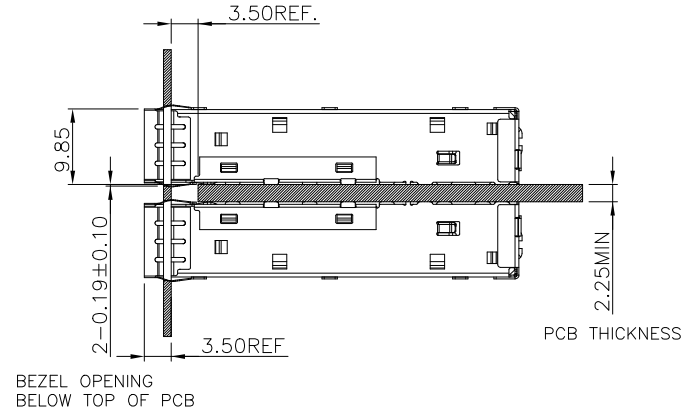
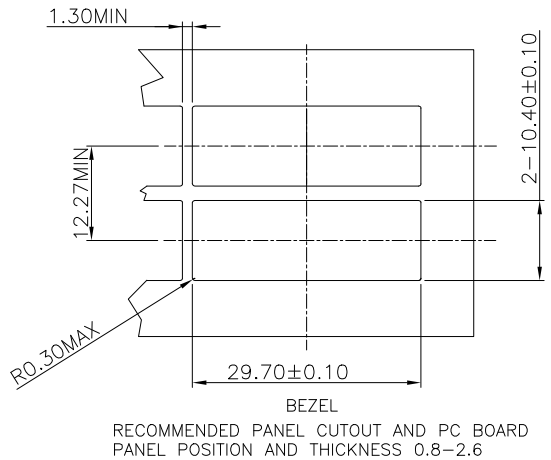
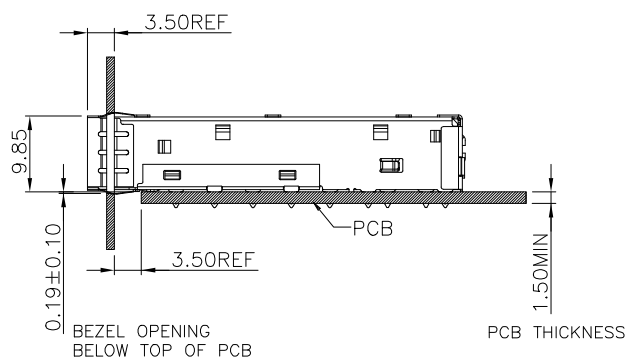
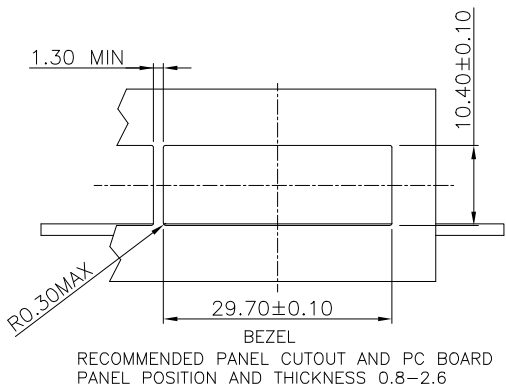


8951-A 2 P P x A
 Series ———
 2: 2Ports ———
 P: Press Fit ———
 A: Tray Package
 0: W/O Light pipe
 1: With Light pipe
 P: Spring Plug

Tolerances x. = ±0.50 .x = ±0.25 .xx = ±0.15	Dwg. No.	8951D00012	Title:		 OUPIIN ELECTRONIC(KUNSHAN) CO., LTD. P/N: 8951-A2PPxA
	Projection		8951-A Series		
	Unit	mm	Scale	1:1	
Drawn By	Martin	06/15'22	SFP+ 1x2 Cage Belly to Belly		SHEET
			① 665		1/5
					Ver.No.
					A3

REV.	SPECIFICATION	ECN NO.	APPD.

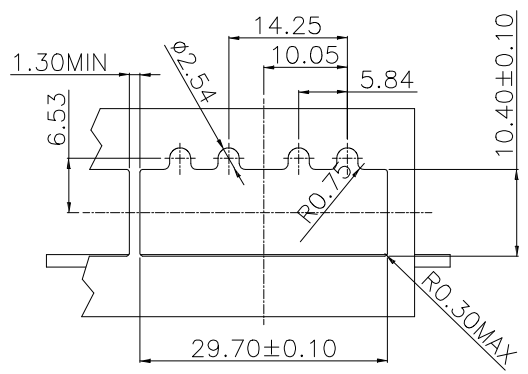
Without Light Pipe



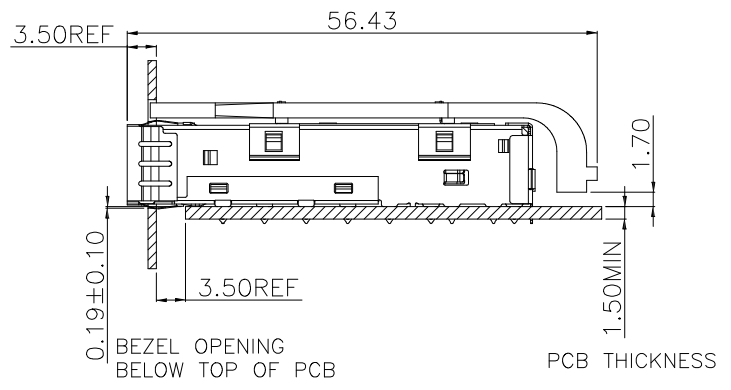
Tolerances x. = ±0.50 .x = ±0.25 .xx = ±0.15	Dwg. No. 8951D00012		Title: 8951-A Series		 OUPIIN ELECTRONIC(KUNSHAN) CO., LTD. P/N: 8951-A2PPxA
	Projection		SFP+ 1x2 Cage Belly to Belly		
	Unit mm	Scale 1:1	① 665		
	Drawn By Martin	06/15'22			

REV.	SPECIFICATION	ECN NO.	APPD.

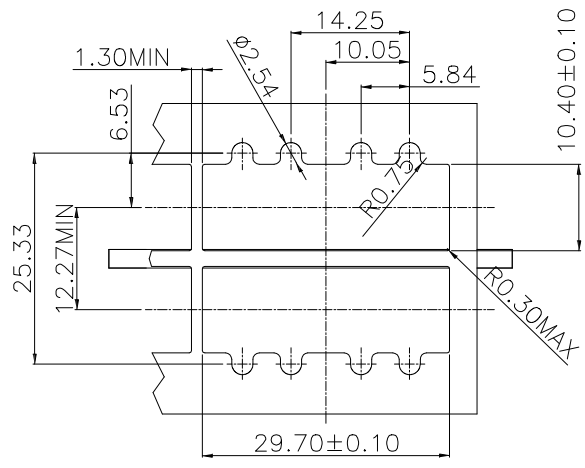
With Light Pipe



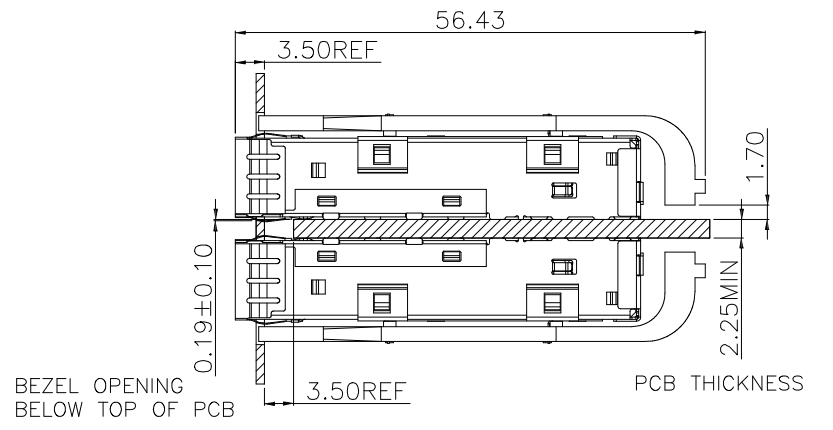
RECOMMENDED PANEL CUTOUT AND PC BOARD
PANEL POSITION AND THICKNESS 0.8-2.6



BEZEL OPENING
BELOW TOP OF PCB
PCB THICKNESS



RECOMMENDED PANEL CUTOUT AND PC BOARD
PANEL POSITION AND THICKNESS 0.8-2.6



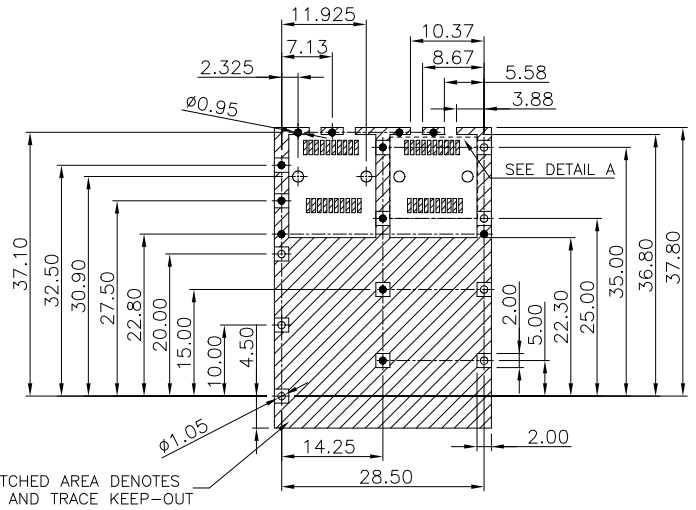
BEZEL OPENING
BELOW TOP OF PCB
PCB THICKNESS

Tolerances x. = ±0.50 .x = ±0.25 .xx = ±0.15	Dwg. No. 8951D00012		Title: 8951-A Series		 OUPIIN ELECTRONIC(KUNSHAN) CO., LTD. P/N: 8951-A2PPxA
	Projection		SFP+ 1x2 Cage Belly to Belly		
	Unit mm	Scale 1:1	① 665		
	Drawn By Martin	06/15'22			

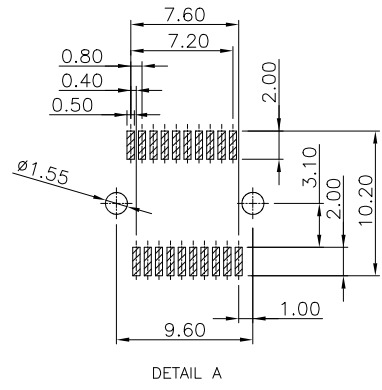
REV.	SPECIFICATION	ECN NO.	APPD.

Without Light Pipe

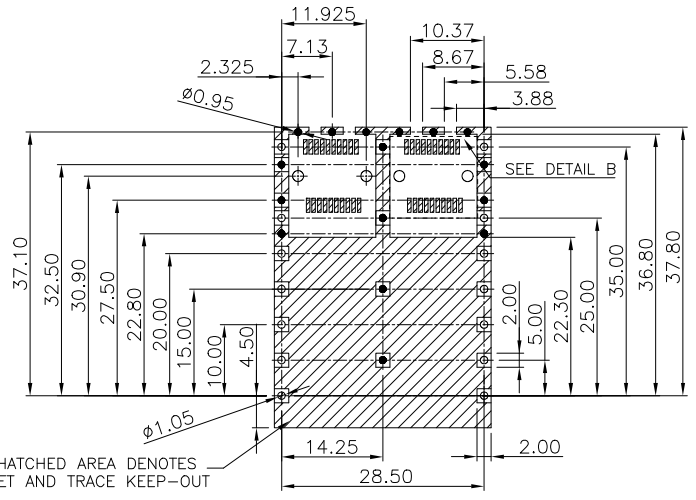
RECOMMENDED PCB LAYOUT(COMPONENT SIDE)
 RECOMMENDED MINIMUM PCB THICKNESS:1.50mm
 (ALL TOLERANCES ARE ±0.05)
 □ ● ○ ROUND HOLES ARE ALL THROUGH HOLES
 RECOMMENDED PCB CONFIGURATION WITH KEEP-OUT
 AREAS SINGLE SIDED APPLICATIONS



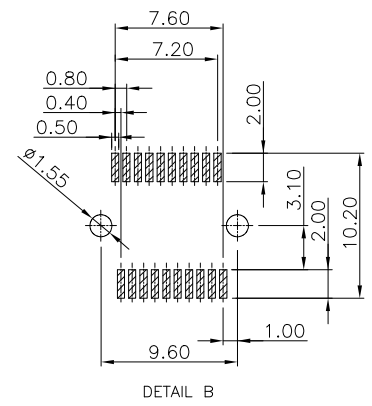
CROSS-HATCHED AREA DENOTES
 COMPONET AND TRACE KEEP-OUT



RECOMMENDED PCB LAYOUT(COMPONENT SIDE)
 RECOMMENDED MINIMUM PCB THICKNESS:2.25mm
 (ALL TOLERANCES ARE ±0.05)
 □ ● ○ ROUND HOLES ARE ALL THROUGH HOLES
 RECOMMENDED PCB CONFIGURATION WITH KEEP-OUT
 AREAS BELLY TO BELLY APPLICATIONS



CROSS-HATCHED AREA DENOTES
 COMPONET AND TRACE KEEP-OUT



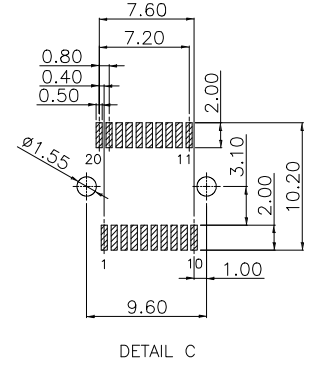
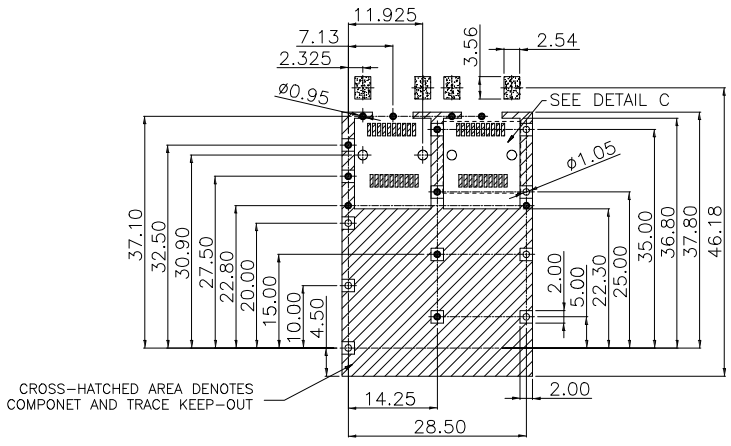
Tolerances x. = ±0.50 .x = ±0.25 .xx = ±0.15	Dwg. No.	8951D00012		Title: 8951-A Series SFP+ 1x2 Cage Belly to Belly 665					
	Projection							OUPIN ELECTRONIC(KUNSHAN) CO., LTD. P/N: 8951-A2PPxA	
	Unit	mm	Scale		1:1	SHEET	4/5		
	Drawn By	Martin 06/15'22			① 665				

REV.	SPECIFICATION	ECN NO.	APPD.

With Light Pipe

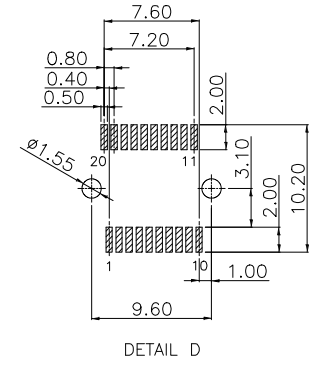
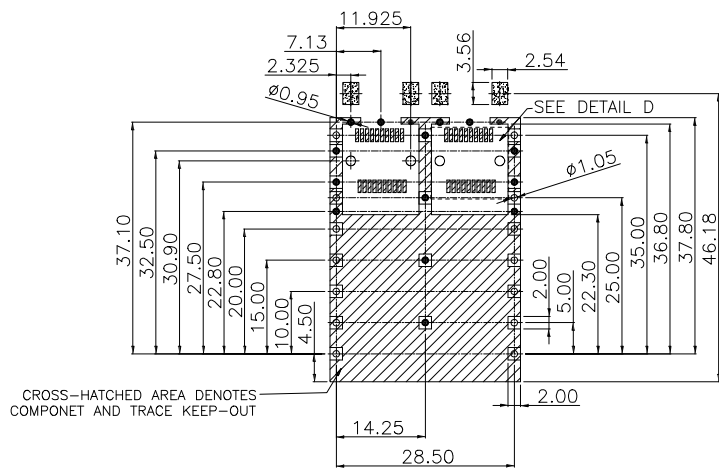
RECOMMENDED PCB LAYOUT (COMPONENT SIDE)
 RECOMMENDED MINIMUM PCB THICKNESS: 1.50mm
 (ALL TOLERANCES ARE ±0.05)


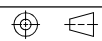
☐ ● ● ROUND HOLES ARE ALL THROUGH HOLES
 RECOMMENDED PCB CONFIGURATION WITH KEEP-OUT
 AREAS SINGLE SIDED APPLICATIONS



RECOMMENDED PCB LAYOUT (COMPONENT SIDE)
 RECOMMENDED MINIMUM PCB THICKNESS: 2.25mm
 (ALL TOLERANCES ARE ±0.05)

☐ ● ● ROUND HOLES ARE ALL THROUGH HOLES
 RECOMMENDED PCB CONFIGURATION WITH KEEP-OUT
 AREAS BELLY TO BELLY APPLICATIONS



Tolerances x. = ±0.50 .x = ±0.25 .xx = ±0.15	Dwg. No.	8951D00012	Title:		665 SFP+ 1x2 Cage Belly to Belly	 OUPIN ELECTRONIC(KUNSHAN) CO., LTD.			
	Projection		8951-A Series						P/N: 8951-A2PPxA
	Unit	mm	Scale	1:1		SHEET	5/5	Ver.No.	
	Drawn By	Martin	06/15'22						