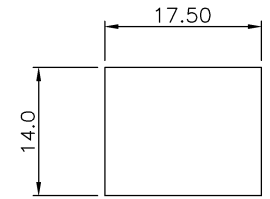
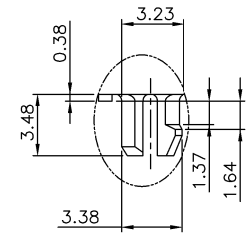
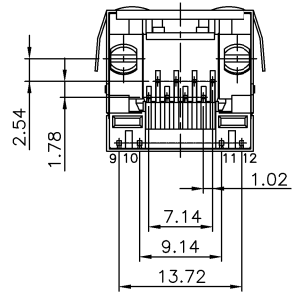
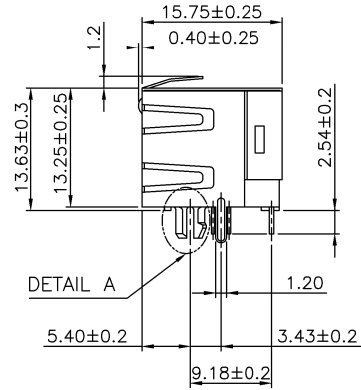
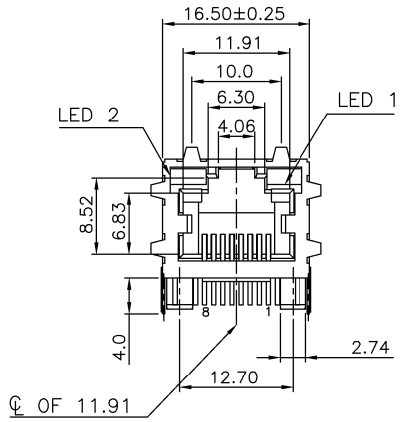
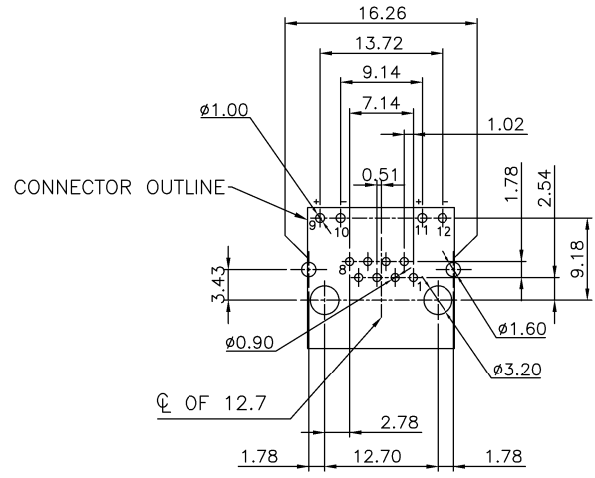


REV.	SPECIFICATION	ECN NO.	APPD.

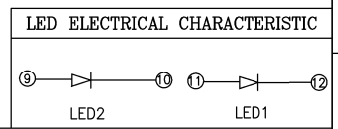


RECOMMENDED PANEL CUTOUT



- 8949-AL1 8 8 1 -06 S 1 x B A
- Series
 - 8: 8 Position
 - 8: 8 Contacts
 - 1: 1 Port
 - 06: 06u" Gold Plated
 - 15: 15u" Gold Plated
 - 30: 30u" Gold Plated
 - 50: 50u" Gold Plated
 - S: Shield
 - Blank: Non-Shield
 - A: Tray Package
 - B: Black
 - A: LED1: Green, LED2: Yellow
 - B: LED1: Green, LED2: Green
 - C: LED1: Yellow, LED2: Green
 - D: LED1: Yellow, LED2: Yellow
 - E: LED1: G+Y, LED2: Green
 - I: LED1: Green, LED2: Red
 - P: LED1: G+Y, LED2: G+Y
 - Blank: W/O LED
 - *1: With Grounding
 - *0: W/O Grounding

*Only apply to shield Type.



Tolerances	Dwg. No.	8949D02173	Title:	8949-AL1 Series
.x = ±0.25	Projection		Modular Jack With LED	
.xx = ±0.13	Unit	mm	Scale	1:N
.xxx = ±0.05	Drawn By	Martin 07/31'23	CAT 5e	

① 563	8949-AL1 Series
	Modular Jack With LED
	CAT 5e

OUPIN			
OUPIN ELECTRONIC(KUNSHAN) CO., LTD.			
P/N: 8949-AL1881-06S1xBA			
SHEET	1/1	Ver.No.	A8