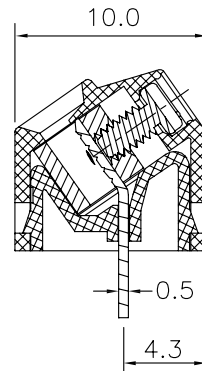
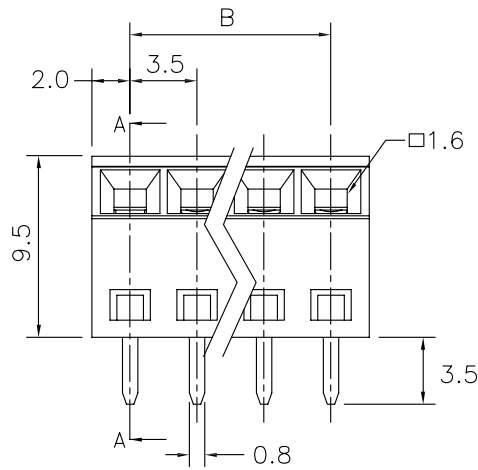
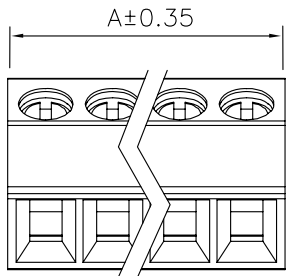
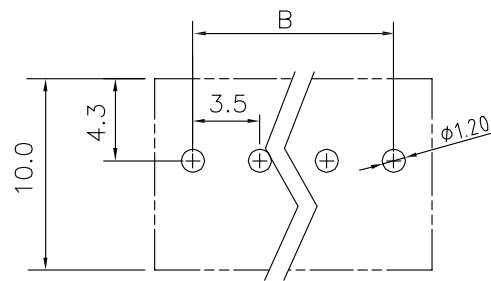


REV.	SPECIFICATION	ECN NO.	APPD.
A1			



SECTION A-A



P.C. Board Layout

Material:

Housing: Thermoplastic Polyester UL94V-0.

Solder Pin: Copper Alloy,Tin Plated.

Clamp: Copper Alloy,Ni Plated.

Screw: Metal,Zinc Plated,M2.

Electrical Characteristics:

Voltage Rating: 300V

Current Rating: 10A

Solid Wire(AWG): 16-28

Stranded Wire(AWG): 16-28

Torque(Lb-In):1.7

Wire Strip Length: 6-7mm

Withstanding Voltage: 1.6KV

Operating Temperature: -30°C~+105°C

***RoHS Compliant**

<u>8932-</u>	<u>C</u>	<u>095100</u>	<u>G</u>	<u>AA</u>	<u>xx</u>	<u>S</u>	<u>B</u>
Series	C:Pitch 3.5mm	Manufacturing Code	G:Green B:Black U:Blue	AA:Slotted "-" Screw	No. of Positions	S:Straight	B:Bulk Package for 2~4Pos. Box Package for 5~24Pos.

Position	2 Thru 24
Dimension	
A	No. of Positions * 3.5 + 0.5
B	(No. of Positions - 1) * 3.5

Tolerances	Dwg. No.	8932D02003	
x = ±0.5	Projection	⊕ ⊖	
.x = ±0.30	Unit	mm	Scale
.xx = ±0.15	Drawn By	PEGGY07/12'12	1:1

Title: 8932 Series
3.5mm Terminal Block
(8300-xxTS11-02)

OUPIN			
OUPIN ELECTRONIC(KUNSHAN) CO., LTD.			
P/N: 8932-C095100GAxxSB			
SHEET	1/1	Ver.No.	A3

Φ780