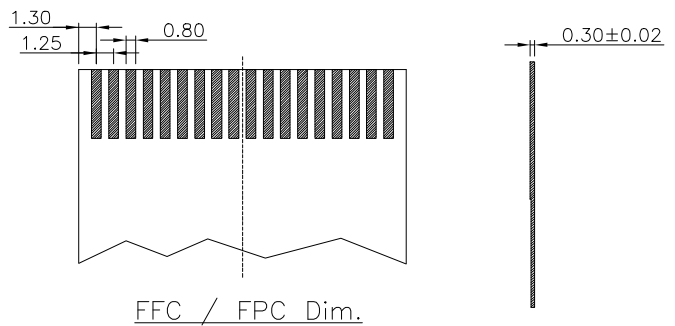
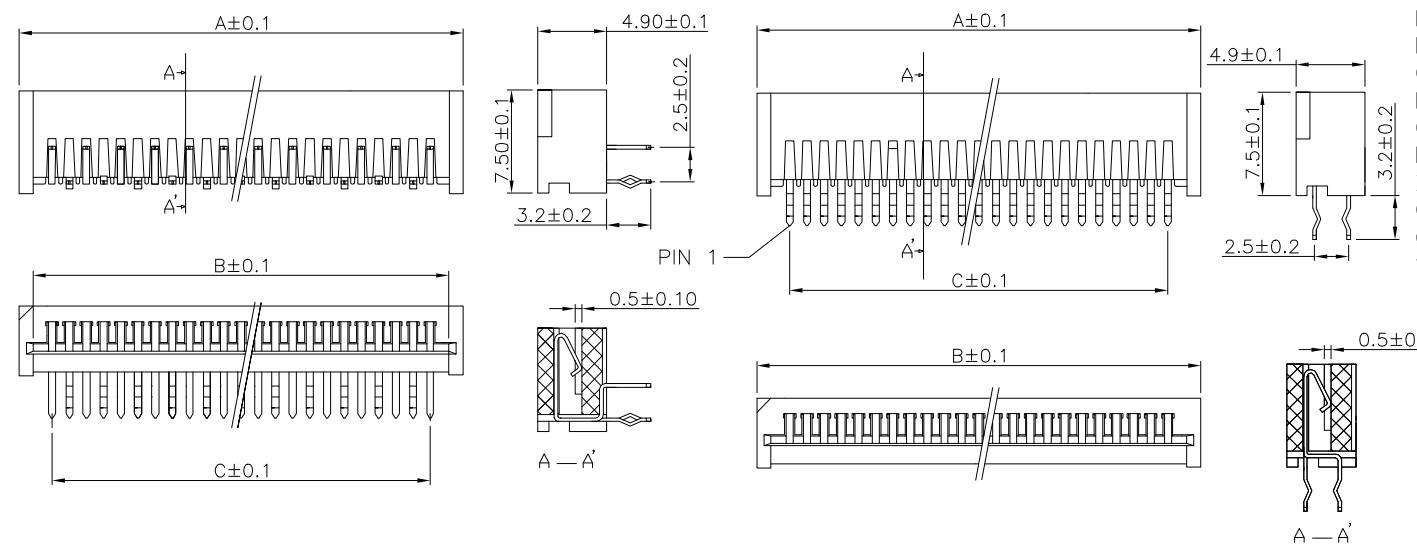
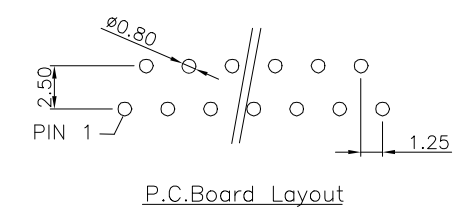


REV.	SPECIFICATION	ECN NO.	APPD.

**Material:**  
**Housing:** PA66, UL94V-0, Natural.  
**Contacts:** Phosphor Bronze, 50u" Tin Plated over Nickel 40u"  
**Electrical Characteristics:**  
**Current Rating:** 0.5 AMP.  
**Dielectric Withstanding Voltage:** AC 500V.  
**Insulation Resistance:** 500MΩ min..  
**Contact Resistance:** 30mΩ max.  
**Operating Temperature:** -25°C~+85°C.  
**\*RoHS Compliant**



Series: 2532-B  
 Positions: xx  
 T: Tin Plated  
 U: U:Tube Package  
 S: Straight  
 R: Right Angle



Positions	Dimension		
	A	B	C
04	8.55	6.35	3.75
05	9.80	7.60	5.00
06	11.05	8.85	6.25
07	12.30	10.10	7.50
08	13.55	11.35	8.75
09	14.80	12.60	10.00
10	16.05	13.85	11.25
11	17.30	15.10	12.50
12	18.55	16.35	13.75
13	19.80	17.60	15.00
14	21.05	18.85	16.25
15	22.30	20.10	17.50
16	23.55	21.35	18.75
17	24.80	22.60	20.00
18	26.05	23.85	21.25
19	27.30	25.10	22.50
20	28.55	26.35	23.75
21	29.80	27.60	25.00
22	31.05	28.85	26.25
23	32.30	30.10	27.50
24	33.55	31.35	28.75
25	34.80	32.60	30.00
26	36.05	33.85	31.25
27	37.30	35.10	32.50
28	38.55	36.35	33.75
29	39.80	37.60	35.00
30	41.05	38.85	36.25
31	42.30	40.10	37.50
32	43.55	41.35	38.75
33	44.80	42.60	40.00
34	46.05	43.85	41.25
35	47.30	45.10	42.50
36	48.55	46.35	43.75
37	49.80	47.60	45.00
38	51.05	48.85	46.25
39	52.30	50.10	47.50
40	53.55	51.35	48.75

Tolerances	Dwg No.	S2320210610-01	Title:		 DUPIN ELECTRONIC(KUNSHAN) CO., LTD. P/N: 2532-BxxTxU
.x = ±0.30	Projection		2532-B Series		
.xx = ±0.20	Unit	mm	Scale	1:N	
.xxx = ±0.10	Drawn By	Martin 07/14'21	FFC/FPC Connector		
			① 676	1.25mm	SHEET
					1/1
					Ver.No.
					X2