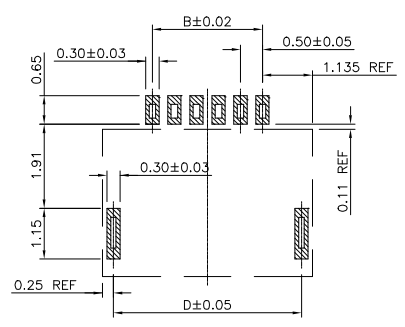
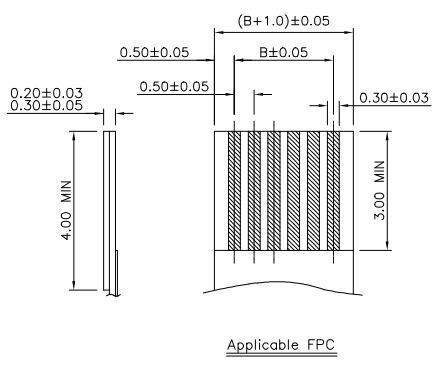
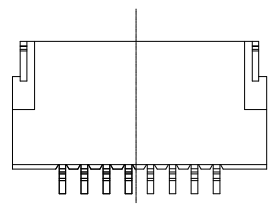
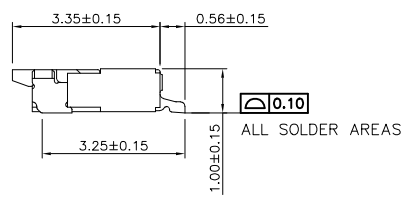
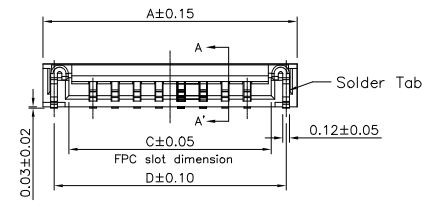
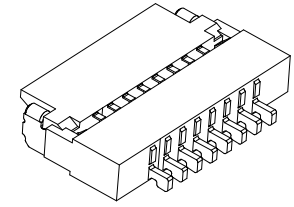
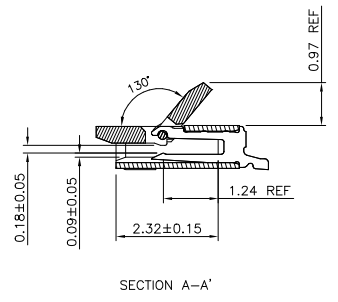
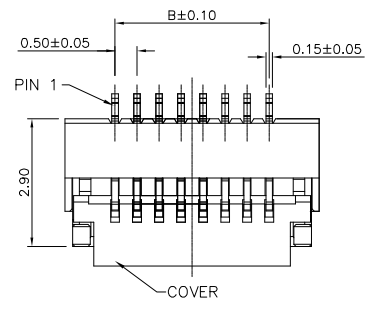


REV.	SPECIFICATION	ECN NO.	APPD.



P.C. BOARD LAYOUT
TOLERANCE: ±0.05

2531-B xx G 00 D x T
 Series
 No. of Positions
 G: Gold Plated
 00: Gold Flash
 T: Tape & Reel Package
 A: 0.2mm Thickness FPC/FFC
 B: 0.3mm Thickness FPC/FFC
 D: SMD Type

Material:

Housing: LCP, UL94V-0, Natural.
 Cover: LCP, UL94V-0, Black.
 Contacts: Phosphor Bronze, Gold Plated.
 Solder Tab: Phosphor Bronze, Tin Plated over Nickel.

Electrical Characteristics:

Voltage Rating: DC 50V.
 Current Rating: 0.5 AMP.
 Dielectric Withstanding Voltage: AC 250V For 1 minute.
 Insulation Resistance: 50MΩ min. at DC 500V.
 Contact Resistance: 40mΩ max. at DC 100mA.

Mechanical Characteristics:

FFC/FPC Retention Force: Pos. X 0.015 Kgf min.

Environmental:

Operating Temperature: -55°C ~+85°C.
 Storage Temperature: -10°C ~+50°C.

RoHS Compliant

**" Available Position									
Positions	A	B	C	D	Positions	A	B	C	D
* 04	3.77	1.50	2.60	3.27	23	13.27	11.50	12.10	12.77
05	4.27	2.00	3.10	3.77	* 24	13.77	11.50	12.60	13.27
* 06	4.77	2.50	3.60	4.27	25	14.27	12.00	13.10	13.77
07	5.27	3.00	4.10	4.77	* 26	14.77	12.50	13.60	14.27
* 08	5.77	3.50	4.60	5.27	27	15.27	13.00	14.10	14.77
09	6.27	4.00	5.10	5.77	* 28	15.77	13.50	14.60	15.27
* 10	6.77	4.50	5.60	6.27	29	16.27	14.00	15.10	15.77
11	7.27	5.00	6.10	6.77	* 30	16.77	14.50	15.60	16.27
* 12	7.77	5.50	6.60	7.27	31	17.27	15.00	16.10	16.77
13	8.27	6.00	7.10	7.77	* 32	17.77	15.50	16.60	17.27
* 14	8.77	6.50	7.60	8.27	33	18.27	16.00	17.10	17.77
* 15	9.27	7.00	8.10	8.77	34	18.77	16.50	17.60	18.27
* 16	9.77	7.50	8.60	9.27	35	19.27	17.00	18.10	18.77
17	10.27	8.00	9.10	9.77	36	19.77	17.50	18.60	19.27
* 18	10.77	8.50	9.60	10.27	37	20.27	18.00	19.10	19.77
19	11.27	9.00	10.10	10.77	38	20.77	18.50	19.60	20.27
* 20	11.77	9.50	10.60	11.27	39	21.27	19.00	20.10	20.77
21	12.27	10.00	11.10	11.77	* 40	21.77	19.50	20.60	21.27
* 22	12.77	10.50	11.60	12.27	* 50	26.77	24.50	25.60	26.27

Tolerances	Dwg. No.	2531D02002	
.x = ±0.25	Projection	⊕ ⊖	
.xx = ±0.15	Unit	mm	Scale 1:N
.xxx = ±0.10	Drawn By	Emma 01/14'21	

Title: 2531 Series
 FFC/FPC Connector
 Pitch 0.5mm Flip Lock Type
 0570

OUPIIN			
OUPIIN ELECTRONIC(KUNSHAN) CO., LTD.			
P/N: 2531-BxxG00DxT			
SHEET	1/1	Ver.No.	A7