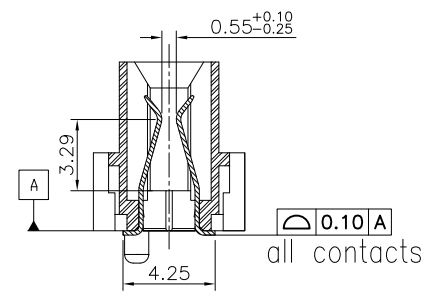
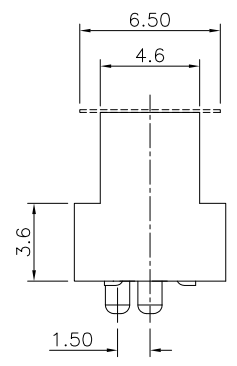
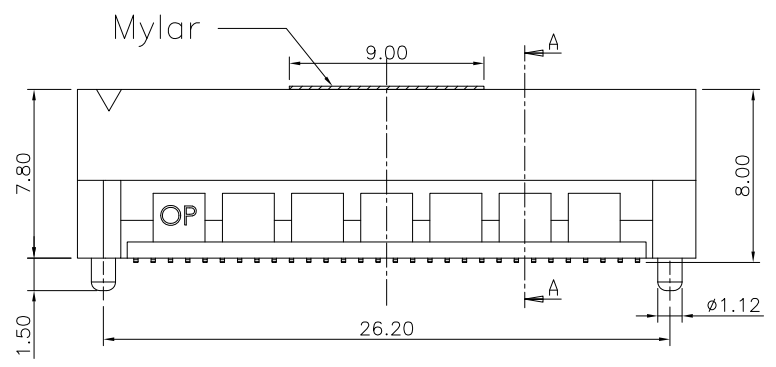
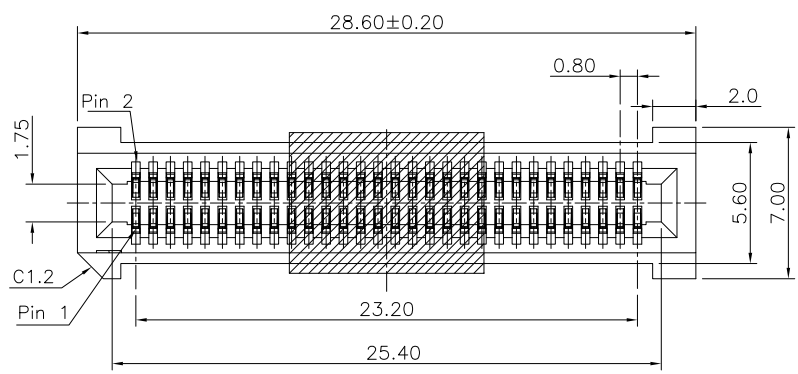
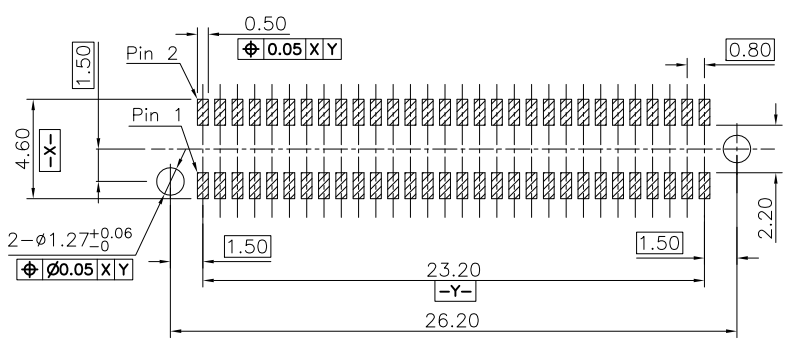


REV.	SPECIFICATION	ECN NO.	APPD.
R1		ECN220715	



Section A-A



P.C. Board Layout
(Tolerance ±0.05)

8206- 2 X 30 C 30 D P T - S

- Series
- Double Row
- Position Per Row
- C: Selective Gold Plated
- 00: 00μ"
- 10: 10μ"
- 15: 15μ"
- 30: 30μ"
- S: Mylar
- T: Tape&Reel Packaging
- P: With Post
- D: SMD Type

Material and Plating:


Housing: LCP, UL94V-0, BLACK.
Signal Contacts: High Performance Copper Alloy.
Gold plated on Contact Area and 80u" Min
Tin Plated on Solder Tail over nickel 50u" Min.

Electrical Characteristics:

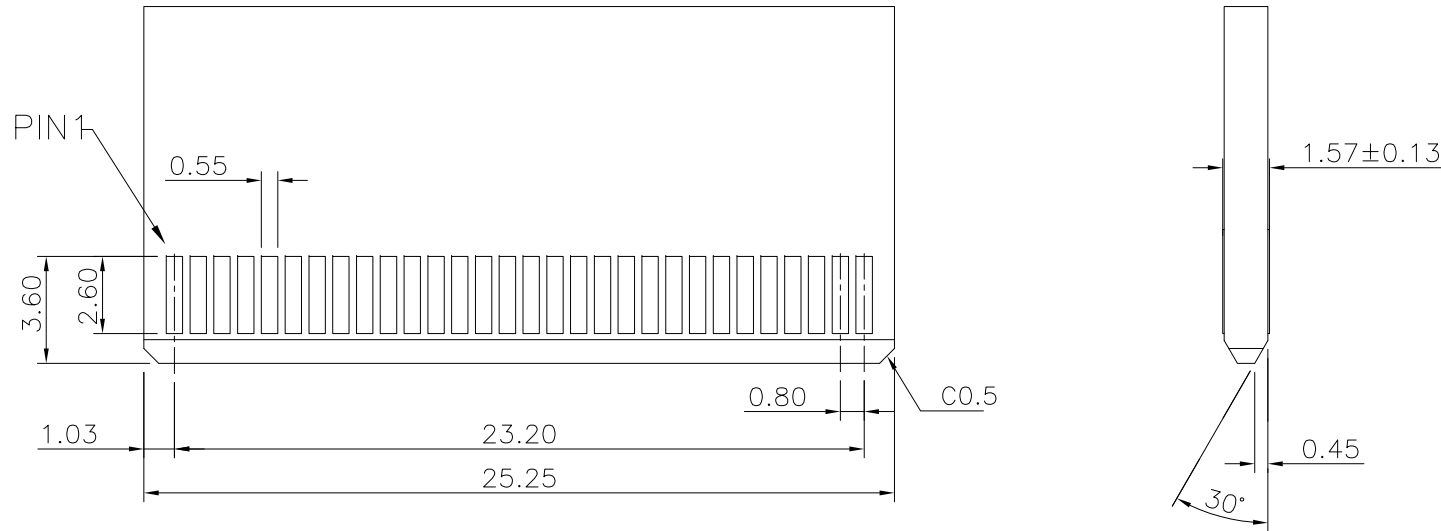
Current Rating: 3.1 AMP.
Dielectric Withstanding Voltage: AC 600V For 1 minute.
Insulator Resistance: 6000MΩ min. at DC 250V.
Contact Resistance: 8.4mΩ max. at DC 100mA.
Operating Temperature: -55°C~+125°C.

***RoHS Compliant**

Insertion Depth: 3.15mm To 5.55mm.
Speed: 28+Gbps @-3dB.

Tolerances	Dwg.No.	8206-D0000-009	Title:	 OUPIIN ELECTRONIC(KUNSHAN) CO., LTD. P/N: 8206-2X30C30DPT-S				
x = ±0.50	Projection							
.x = ±0.25	Unit	mm	Scale	1:1	SHEET	1/2	Ver.No.	R1
.xx = ±0.15	Drawn By	GYJ 07/12'22						

REV.	SPECIFICATION	ECN NO.	APPD.
R1		ECN220715	



RECOMMENDED MATING BOARD FOOTPRINT
(Tolerance:±0.05)

Tolerances x = ±0.50 .x = ±0.25 .xx = ±0.15	Dwg.No.	8206-D0000-009		Title: 8206 Series Edge Card Connector 0.80mm (0.0315") Pitch SMD Type	OUPIN			
	Projection	⊕ ↗			OUPIN ELECTRONIC(KUNSHAN) CO., LTD.			
	Unit	mm	Scale		1:1	P/N: 8206-2X30C30DPT-S		
	Drawn By	GYJ 07/12'22			SHEET	2/2	Ver.No.	R1