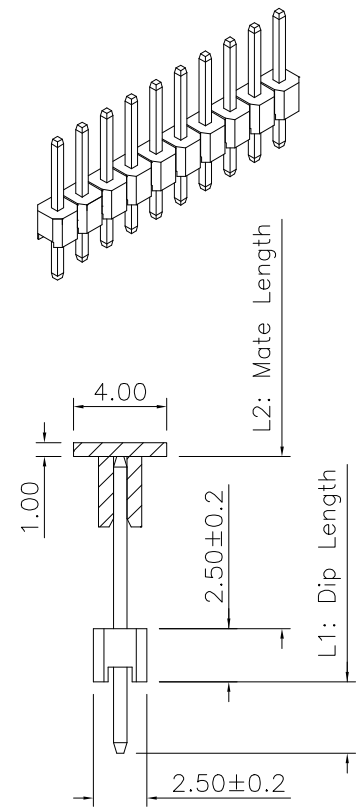
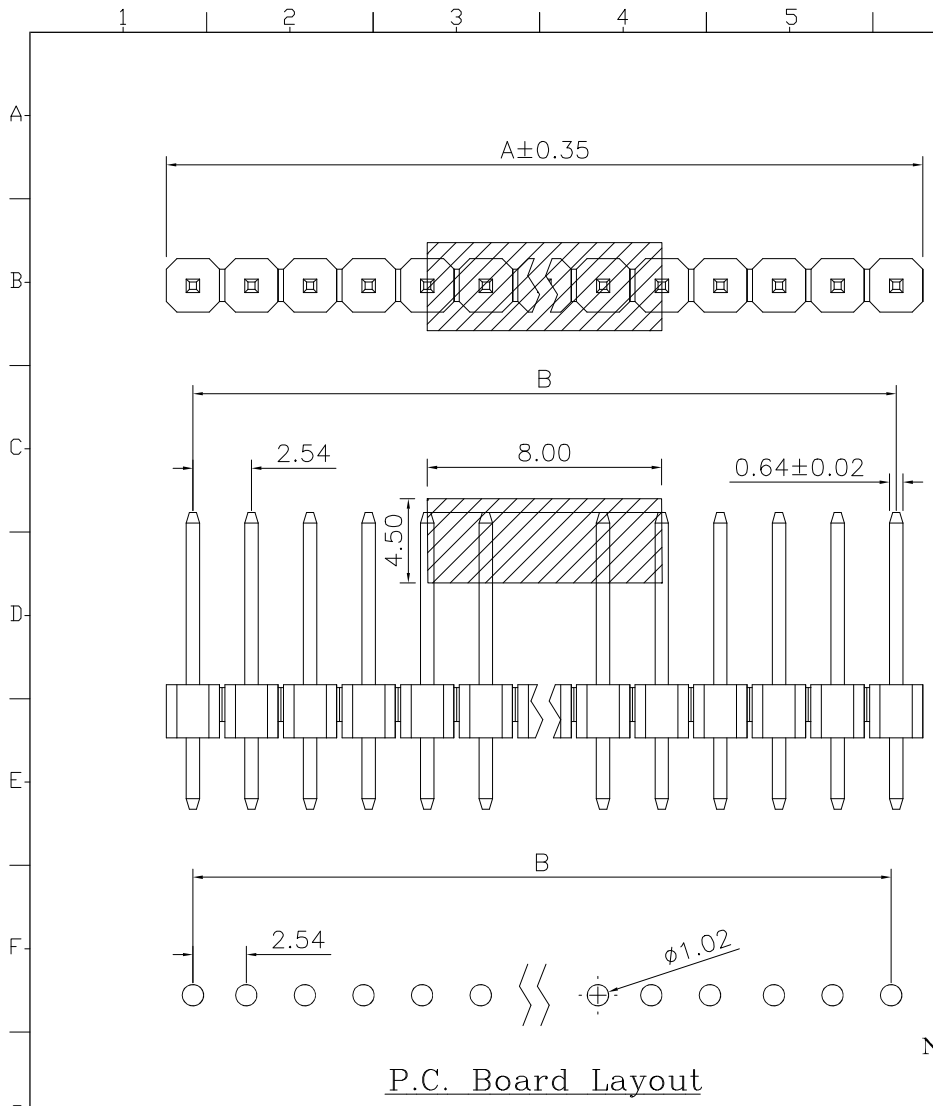


REV.	SPECIFICATION	ECN NO.	APPD.



**Material:**  
Housing: PBT, UL94V-0, Black.  
Contacts: Brass, Gold Plated or 80~120u" Tin Plated over Nickel 50u".

**Electrical Characteristics:**  
Current Rating: 3 AMP.  
Dielectric Withstanding Voltage: AC 1000V.  
Insulator Resistance: 1000MΩ min.  
Contact Resistance: 20mΩ max.  
Operating Temperature: -40°C~+105°C.

**\*RoHS Compliant**

2011- 1 xx G 00 S U -P

Series: 2011-  
Single Row: 1  
No. of Pin Per Row: xx  
G: Gold Plated  
T: Tin Plated

00: Gold Flash  
10: 10u"  
15: 15u"  
30: 30u"  
Blank: for Tin Plated

P: Plastic Pad  
Blank: W/O Pad  
B: Bulk Package  
U: Tube Package  
T: Tape & Reel Package

S: Straight

Dimension					
Positions	A	B	Positions	A	B
02	4.83	2.54	22	55.63	53.34
03	7.37	5.08	23	58.17	55.88
04	9.91	7.62	24	60.71	58.42
05	12.45	10.16	25	63.25	60.96
06	14.99	12.70	26	65.79	63.50
07	17.53	15.24	27	68.33	66.04
08	20.07	17.78	28	70.87	68.58
09	22.61	20.32	29	73.41	71.12
10	25.15	22.86	30	75.95	73.66
11	27.69	25.40	31	78.49	76.20
12	30.23	27.94	32	81.03	78.74
13	32.77	30.48	33	83.57	81.28
14	35.31	33.02	34	86.11	83.82
15	37.85	35.56	35	88.65	86.36
16	40.39	38.10	36	91.19	88.90
17	42.93	40.64	37	93.73	91.44
18	45.47	43.18	38	96.27	93.98
19	48.01	45.72	39	98.81	96.52
20	50.55	48.26	40	101.60	99.06
21	53.09	50.80			

**Standard item:**  
ie: 2011-1XxxG00SB(Total Length 11.6mm Dip 3.0mm Mate 6.1mm)

**Custom item:**  
ie: 2011-1XxxG00S-2.8-8.2U-P(2011-1XxxG00S-L1-L2U-P)  
2.8mm Dip Length(increment of 0.1mm)  
8.2mm Mate Length(increment of 0.1mm)

Tolerances	Dwg. No.	2011D01042	Title:	2011 Series	
.x = $\pm 0.30$	Projection		Pin Header 2.54mm Single Row	 OUPIIN ELECTRONIC(KUNSHAN) CO., LTD. P/N: 2011-1XxxG00SU-P	
.xx = $\pm 0.20$	Unit	mm	Scale		1:1
	Drawn By	Martin 03/22'23	Straight Solder Type		SHEET 1/1 Ver.No. B5