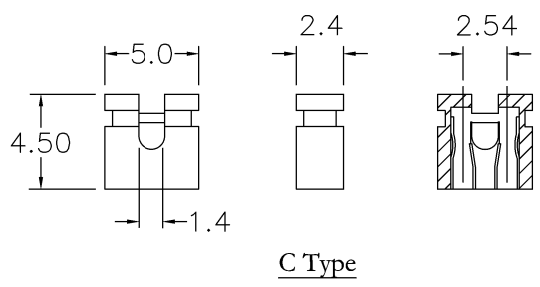
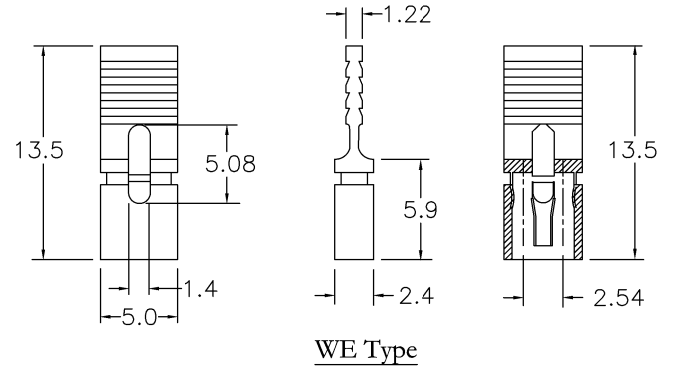
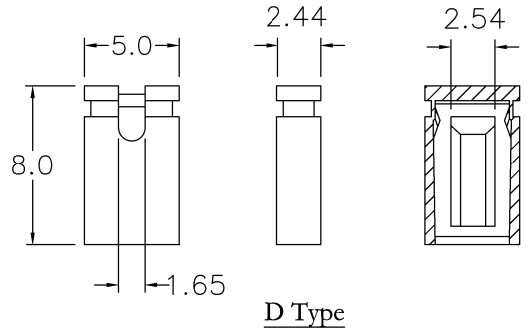
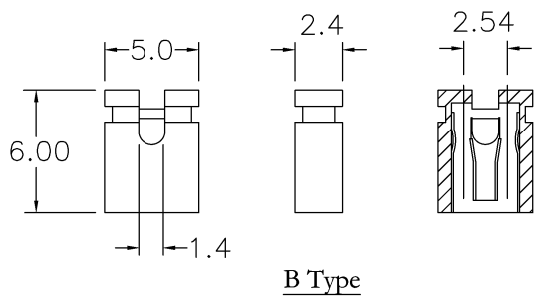
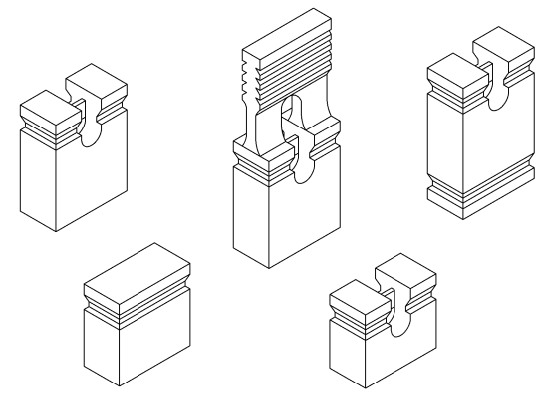
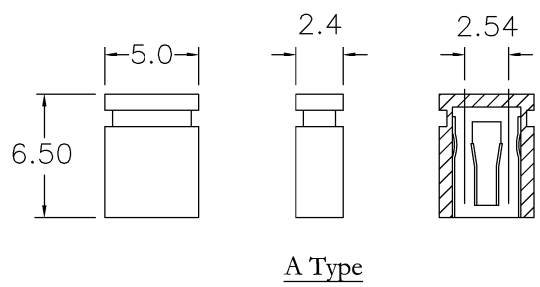


REV.	SPECIFICATION	ECN NO.	APPD.

Material:
Housing: PBT, UL94V-0, (WE Type: PA66 UL94V-0).
Contacts: Phosphor Bronze, Gold Plated or Tin Plated in Contact Area Nickel Plated 20u" over All.

Electrical Characteristics:
Current Rating: 3 AMP.
Dielectric Withstanding Voltage: AC 500V.
Insulator Resistance: 5000MΩ min.
Contact Resistance: 20mΩ max.
Operating Temperature: -55°C~+105°C.
***RoHS Compliant**



2006- x - B B -x
Series A: A Type B: Black Insulator B: Bulk Package Blank: Gold Plated
 B: B Type *R: Red Insulator T: Tin Plated (Only for B and WE Type)
 C: C Type *U: Blue Insulator
 D: D Type *W: White Insulator
 WE: WE Type *Y: Yellow Insulator

*Only apply to additional colors available and maybe subject to minimum quantity.

Tolerances	Dwg. No.	2006D02002		Title:		 DUPIN ELECTRONIC(KUNSHAN) CO., LTD. P/N: 2006-x-BB-x	
.x = ±0.30	Projection			2006 Series			
.xx = ±0.20	Unit	mm	Scale	1:1	Mini Jumper 2.54mm		SHEET
	Drawn By	Martin 07/22'22		① 535	1/1	Ver.No.	B3